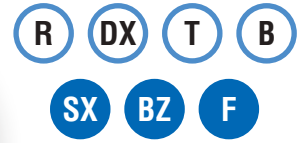


Caratteristiche - Specifications - Caractéristiques - Características

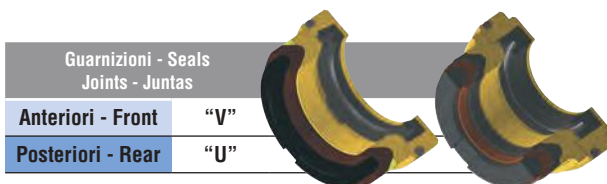
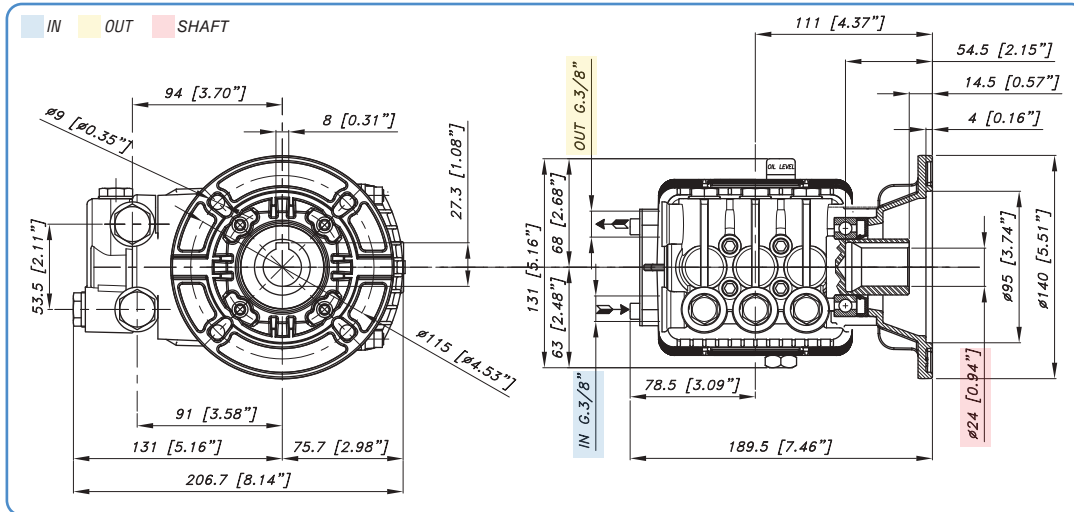
		WBC	WBC-F
IN	Ø	3/8 BSP	3/8 BSP
	Press. Min.	-0,1 bar (-1.5 PSI)	1 bar (15 PSI)
	Press. Max.	6 bar (87 PSI)	6 bar (87 PSI)
	Temp. Max.	60°C (140°F)	60°C (140°F)
OUT	Ø	3/8 BSP	3/8 BSP
SHAFT	Ø	Hollow 24 mm	Hollow 24 mm
OIL	SAE 75W 90	0,5l (0.13 U.S.gal.)	0,5l (0.13 U.S.gal.)
WEIGHT	kg (lbs)	6 kg (13.2 lbs)	6 kg (13.2 lbs)
MOTOR	Type	IEC 90 B14-24 mm	



WBC - 1450 RPM									
Codice Code	Modello Model	Press. Max Max Pres.		Portata Flow		Potenza Power		Pistone Plunger	Corsa Stroke
		bar	PSI	l/min	GPM	kW	hp	Ø mm	mm
02.6051.97.3	WBC 911	110	1600	9	2,3	1,8	2,4	18	8
02.6052.97.3	WBC 1111	110	1600	11	2,9	2,2	3	18	10
02.6053.97.3	WBC 1312	120	1750	13	3,4	3	4	18	12,4

WBC-F - 2800 RPM									
Codice Code	Modello Model	Press. Max Max Pres.		Portata Flow		Potenza Power		Pistone Plunger	Corsa Stroke
		bar	PSI	l/min	GPM	kW	hp	Ø mm	mm
02.6060.97.3	WBC 812-F	120	1750	8	2,1	1,9	2,5	15	6
02.6061.97.3	WBC 814-F	140	2000	8	2,1	2,2	2,9	15	6
02.6062.97.3	WBC 1114-F	140	2000	11	2,9	2,9	3,9	15	8
02.6063.97.3	WBC 1411-F	110	1600	14	3,7	2,8	3,8	15	10
02.6064.97.3	WBC 1415-F	150	2200	14	3,7	3,8	5,1	15	10

WBC / WBC-F



Accessori di completamento - Complementary accessories
Accessoires complémentaires - Accesorios complementarios

