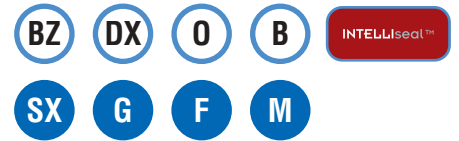


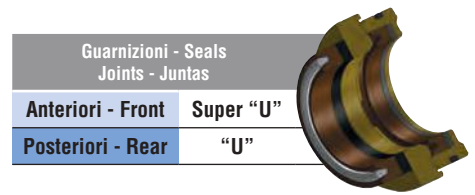
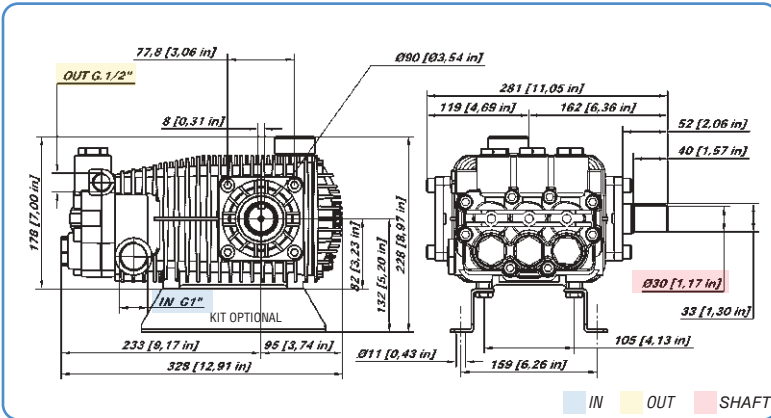
### Caratteristiche - Specifications - Caractéristiques - Características

IN	Ø	1" BSP
	Press. Min.	-0,1 bar (-1.5 PSI)
	Press. Max.	6 bar (87 PSI)
	Temp. Max.	74°C (165°F)
OUT	Ø	1/2 BSP
SHAFT	Ø	30 mm
OIL	SAE 75W 90	1,5l (0.4 U.S.gal.)
WEIGHT	kg (lbs)	20,5 kg (45.2 lbs)

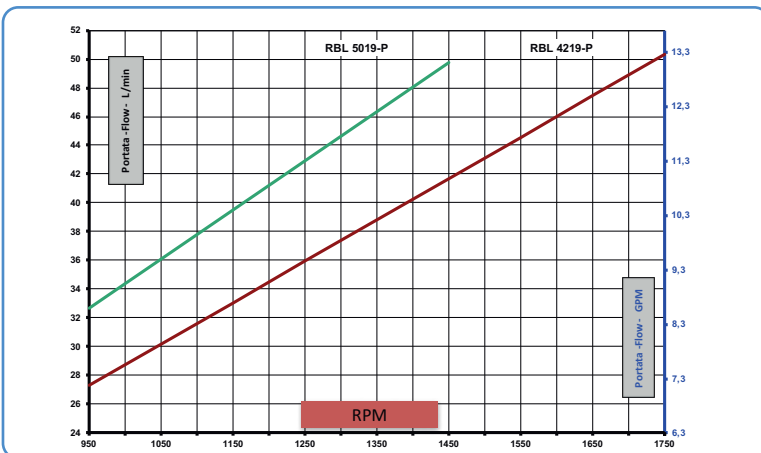


Codice Code	Modello Model	Press. Max Max Pressure		950 RPM				1450 RPM				1725 RPM				Pistone Plunger Ø mm	Corsa Stroke mm
		bar	PSI	l/min	GPM	kW	hp	l/min	GPM	kW	hp	l/min	GPM	kW	hp		
08.1042.97.A	<b>RBL 4219-P</b>	190	2755	27	7,1	10,2	13,6	42	11,1	15,4	20,6	49	12,9	18,1	24,3	25	21
08.1004.97.A	<b>RBL 5019-P</b>	190	2755	33	8,7	12,2	16,4	50	13,2	18,5	24,8	-	-	-	-	25	25

### RBL Premium



### GRAFICO PRESTAZIONI - PERFORMANCE CHART



### Accessori di completamento - Complementary accessories / Accessoires complémentaires - Accesorios complementarios

