



Applications

- Drainage of wastewater from the attenuation tank, purifying tank and sewage tank in water treatment plant
- Drainage of waste water containing fibrous additives from leather factory and food processing factory.
- Sewage management, accumulated water, septic tank, stock farm.
- Pumping sewage form hotels, restaurants, schools and public buildings

Pump

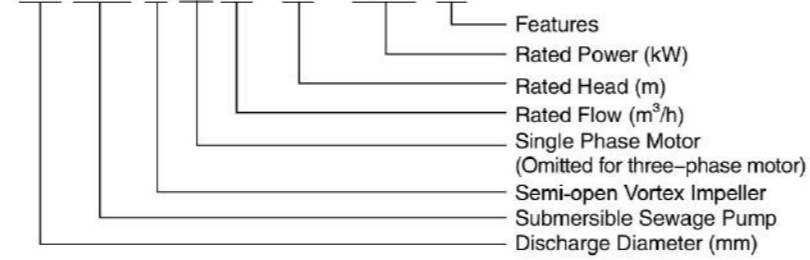
- Semi-open vortex impeller, suitable for liquid containing impurities and long fiber substance
- Flexible installations with hoses, pipes or quick-coupling systems
- Float switch as standard accessory for single phase (≤1.1kw)
- Double-end mechanical seal
- Stainless steel welded shaft
- Liquid temperature: 0 - 40 °C
- Liquid PH value: 4 - 10
- Max. immersion depth: 5 m

Motor

- Frequency/Pole number: 50 Hz/2
- Insulation class: F
- Protection class: IPX8
- Bearing: Ball type

Identification Codes

50 SW U m 9 - 6 - 0.55 L

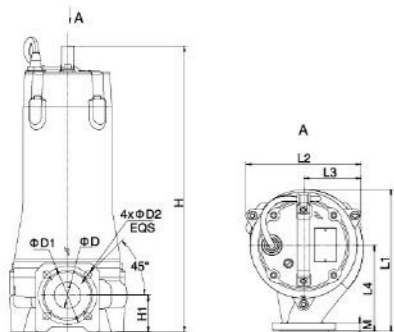


Technical Data

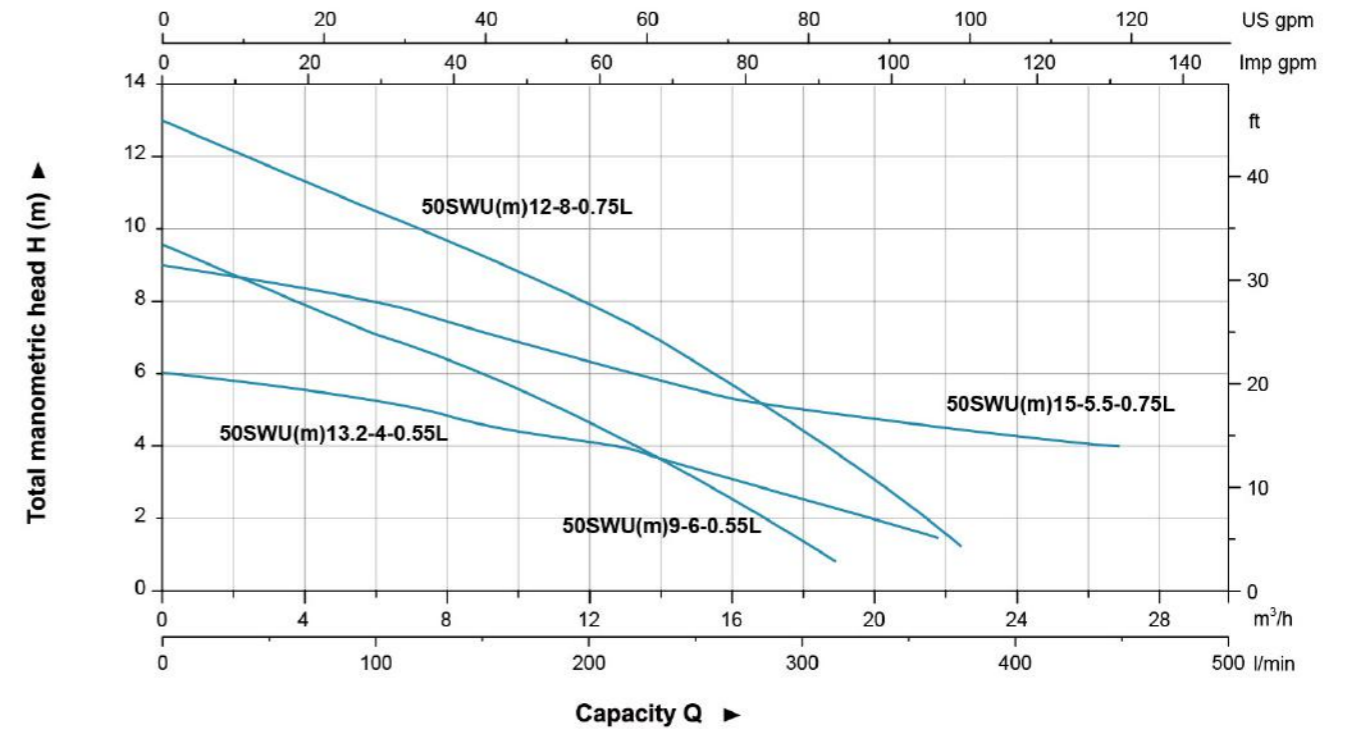
Model		Discharge mm (inch)	Power		Rated Flow (m³/h)	Max. Flow (m³/h)	Rated Head (m)	Max. Head (m)	Max. Solid Dia (mm)
Single Phase	Three Phase		kW	HP					
50SWUm9-6-0.55L	50SWU9-6-0.55L	50 (2")	0.55	0.75	9	19	6	9.5	35
50SWUm13.2-4-0.55L	50SWU13.2-4-0.55L	50 (2")	0.55	0.75	13	22	4	6	50
50SWUm12-8-0.75L	50SWU12-8-0.75L	50 (2")	0.75	1	12	22.5	8	13	35
50SWUm15-5.5-0.75L	50SWU15-5.5-0.75L	50 (2")	0.75	1	15	27	5.5	9	50

Dimension

Model		L1	L2	L3	L4	H	H1	D	D1	D2	M
Single Phase	Three Phase										
50SWUm9-6-0.55L	50SWU9-6-0.55L	195	160	80	121	483	64	35	110	14	14
50SWUm13.2-4-0.55L	50SWU13.2-4-0.55L	201	166	86		508	79	50			
50SWUm12-8-0.75L	50SWU12-8-0.75L	195	160	80		483	64	35			
50SWUm15-5.5-0.75L	50SWU15-5.5-0.75L	201	166	86		508	79	50			

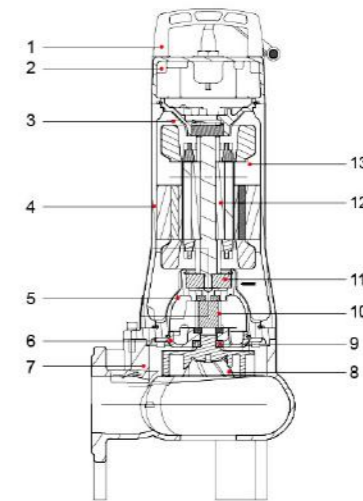


Hydraulic Performance Curves



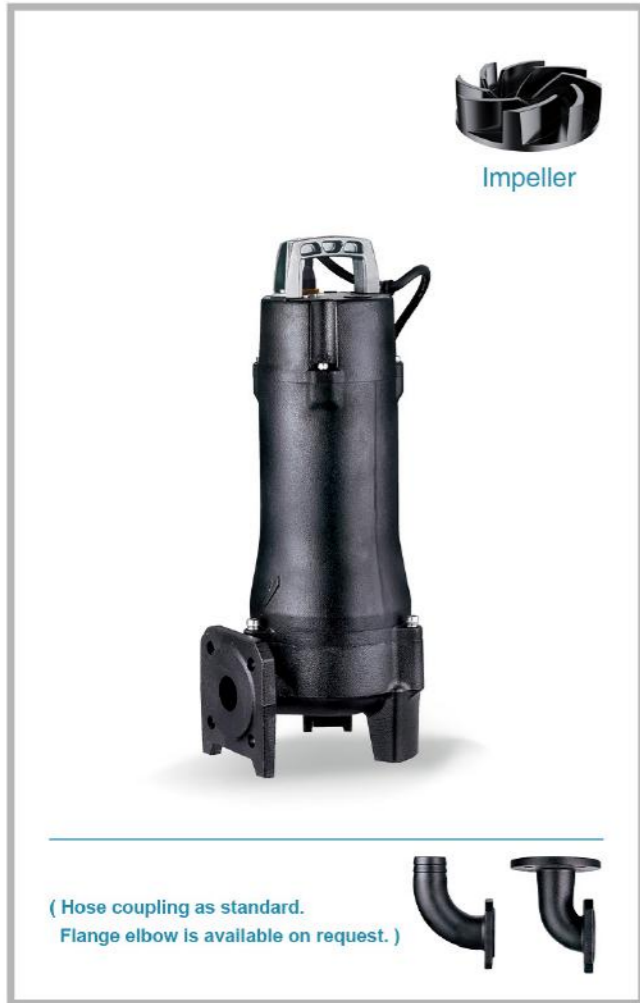
Materials Table

No.	Part	Material
1	Handle	ZG45
2	Upper cover	HT200
3	Upper bearing seat	HT200
4	Motor body	HT200
5	Oil chamber	HT200
6	Pump cover	HT200
7	Pump body	HT200
8	Impeller	HT200
9	Oil seal	
10	Mechanical seal	Upper:SiC/Carbon Lower:SiC/SiC
11	Bearing	
12	Rotor	
13	Stator	



Package Information

Model		GW (kg)		L (mm)	W (mm)	H (mm)	Quantity (PCS/20'TEU)
Single Phase	Three Phase	1~	3~				
50SWUm9-6-0.55L	50SWU9-6-0.55L	24.6	23.9	746	254	286	544
50SWUm13.2-4-0.55L	50SWU13.2-4-0.55L	25.1	24.3	746	254	286	544
50SWUm12-8-0.75L	50SWU12-8-0.75L	25.9	25.2	746	254	286	544
50SWUm15-5.5-0.75L	50SWU15-5.5-0.75L	26.4	25.6	746	254	286	544



Impeller

Applications

- Drainage of wastewater from the attenuation tank, purifying tank and sewage tank in water treatment plant
- Drainage of waste water containing fibrous additives from leather factory and food processing factory.
- Sewage management, accumulated water, septic tank, stock farm.
- Pumping sewage form hotels, restaurants, schools and public buildings

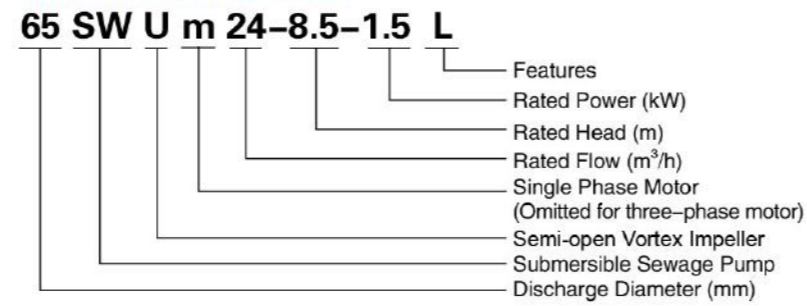
Pump

- Semi-open vortex impeller, suitable for liquid containing impurities and long fiber substance
- Flexible installations with hoses, pipes or quick-coupling systems
- Double-end mechanical seal
- Stainless steel welded shaft
- Liquid temperature: 0 - 40 °C
- Liquid PH value: 4 - 10
- Max. immersion depth: 5 m

Motor

- Frequency/Pole number: 50 Hz/2
- Insulation class: F
- Protection class: IPX8
- Bearing: Ball type

Identification Codes



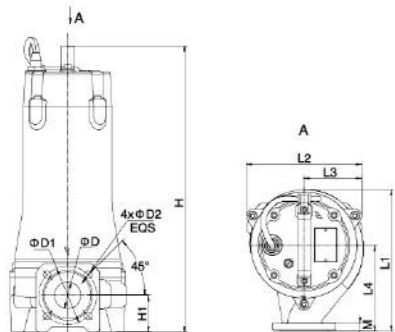
(Hose coupling as standard.
Flange elbow is available on request.)

Technical Data

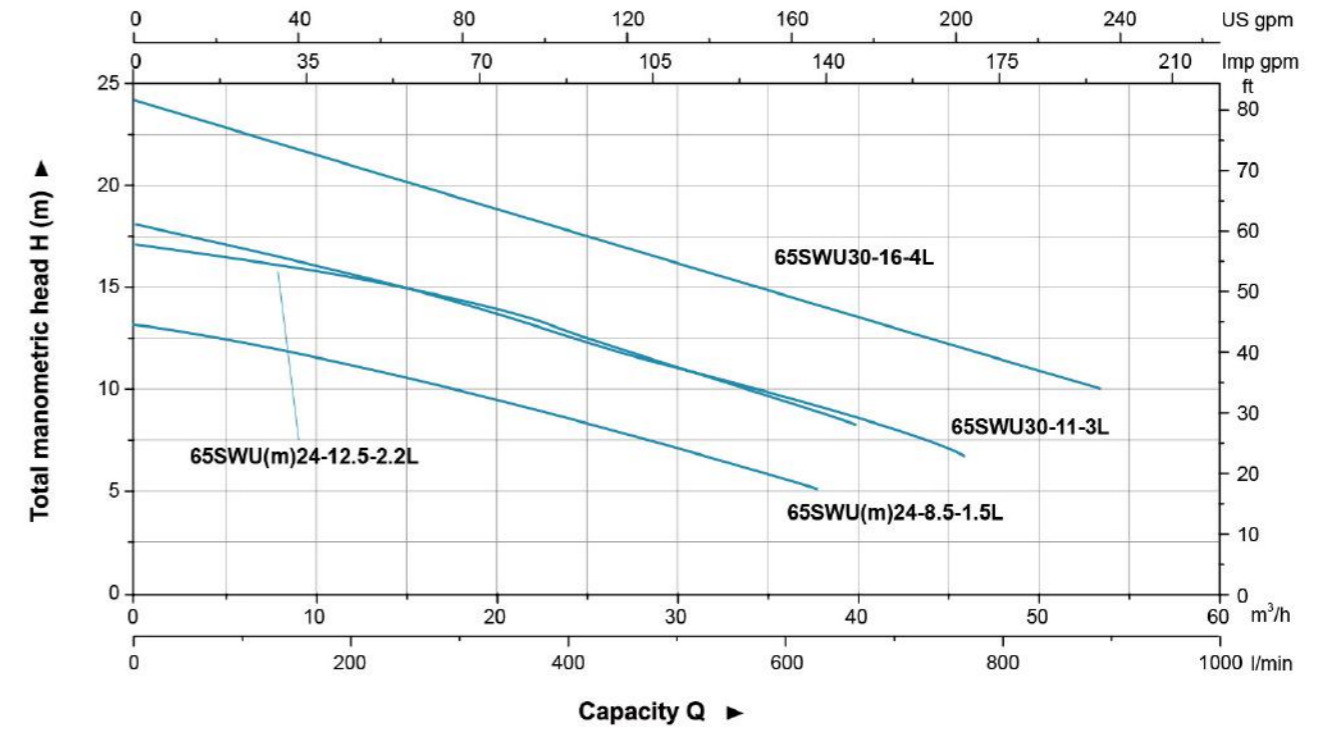
Model		Discharge mm (inch)	Power		Rated Flow (m³/h)	Max. Flow (m³/h)	Rated Head (m)	Max. Head (m)	Max. Solid Dia (mm)
Single Phase	Three Phase		kW	HP					
65SWUm24-8.5-1.5L	65SWU24-8.5-1.5L	65 (2.5")	1.5	2	24	38	8.5	13	55
65SWUm24-12.5-2.2L	65SWU24-12.5-2.2L	65 (2.5")	2.2	3	24	40	12.5	17	55
-	65SWU30-11-3L	65 (2.5")	3	4	30	46	11	18	55
-	65SWU30-16-4L	65 (2.5")	4	5.5	30	54	16	24	55

Dimension

Model		L1	L2	L3	L4	H		H1	D	D1	D2	M
Single Phase	Three Phase					1~	3~					
65SWUm24-8.5-1.5L	65SWU24-8.5-1.5L	266	218	110	167	631	590	91	65	130	14	16
65SWUm24-12.5-2.2L	65SWU24-12.5-2.2L					631	590					
-	65SWU30-11-3L					-	621					
-	65SWU30-16-4L					-	621					

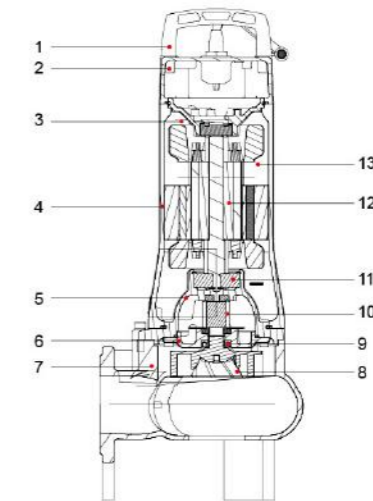


Hydraulic Performance Curves



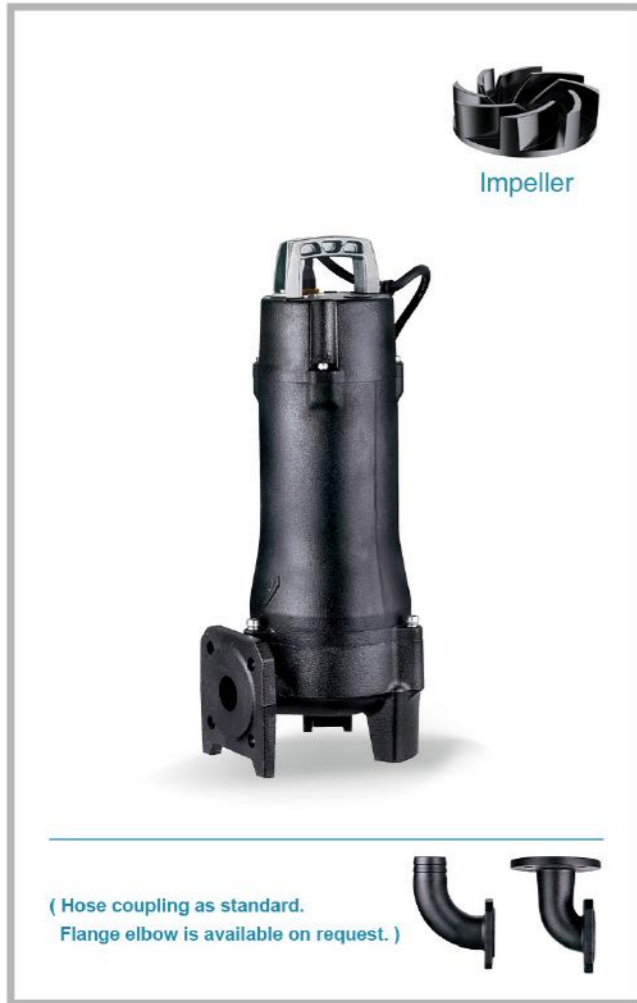
Materials Table

No.	Part	Material
1	Handle	ZG45
2	Upper cover	HT200
3	Upper bearing seat	HT200
4	Motor body	HT200
5	Oil chamber	HT200
6	Pump cover	HT200
7	Pump body	HT200
8	Impeller	HT200
9	Oil seal	
10	Mechanical seal	Upper:SiC/Carbon Lower:SiC/SiC
11	Bearing	
12	Rotor	
13	Stator	



Package Information

Model		GW (kg)		L (mm)	W (mm)	H (mm)	Quantity (PCS/20' TEU)
Single Phase	Three Phase	1~	3~				
65SWUm24-8.5-1.5L	65SWU24-8.5-1.5L	48.8	45	924	284	363	294
65SWUm24-12.5-2.2L	65SWU24-12.5-2.2L	49	47.2	924	284	363	294
-	65SWU30-11-3L	-	54.5	874	284	363	316
-	65SWU30-16-4L	-	56.7	874	284	363	316



Applications

- Drainage of wastewater from the attenuation tank, purifying tank and sewage tank in water treatment plant
- Drainage of waste water containing fibrous additives from leather factory and food processing factory.
- Sewage management, accumulated water, septic tank, stock farm.
- Pumping sewage form hotels, restaurants, schools and public buildings

Pump

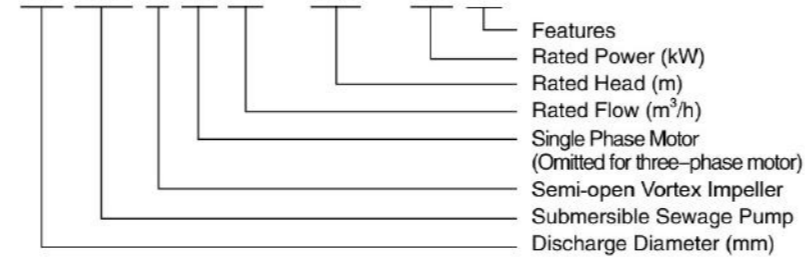
- Semi-open vortex impeller, suitable for liquid containing impurities and long fiber substance
- Flexible installations with hoses, pipes or quick-coupling systems
- Double-end mechanical seal
- Stainless steel welded shaft
- Liquid temperature: 0 - 40 °C
- Liquid PH value: 4 - 10
- Max. immersion depth: 5 m

Motor

- Frequency/Pole number: 50 Hz/2
- Insulation class: F
- Protection class: IPX8
- Bearing: Ball type

Identification Codes

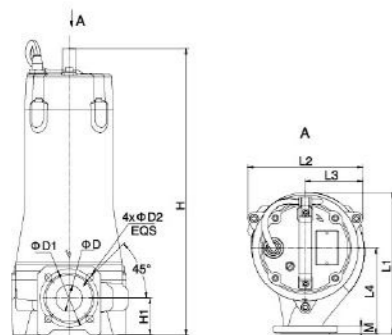
80 SW U m 30 - 4.5 - 1.5 L



(Hose coupling as standard.
Flange elbow is available on request.)

Technical Data

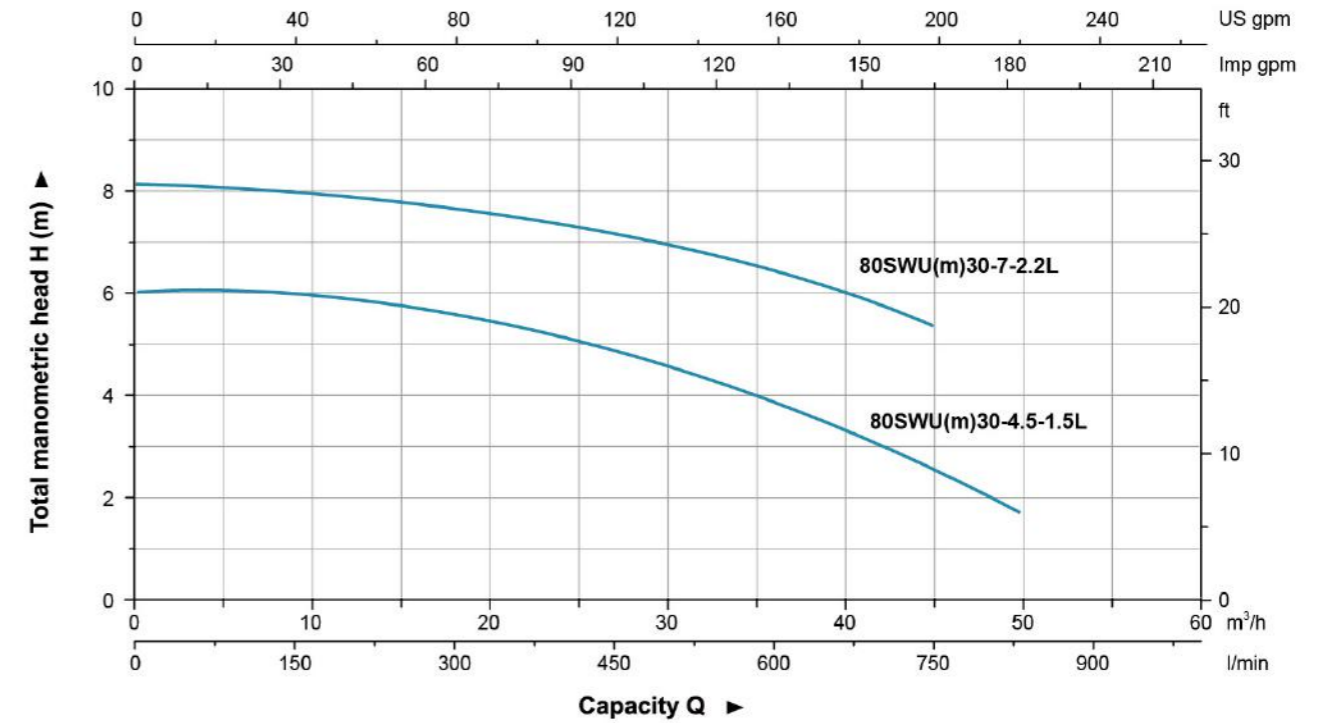
Model		Discharge mm (inch)	Power		Rated Flow (m³/h)	Max. Flow (m³/h)	Rated Head (m)	Max. Head (m)	Max. Solid Dia (mm)
Single Phase	Three Phase		kW	HP					
80SWUm30-4.5-1.5L	80SWU30-4.5-1.5L	80(3")	1.5	2	30	50	4.5	6	76
80SWUm30-7-2.2L	80SWU30-7-2.2L	80(3")	2.2	3	30	45	7	8	76



Dimension

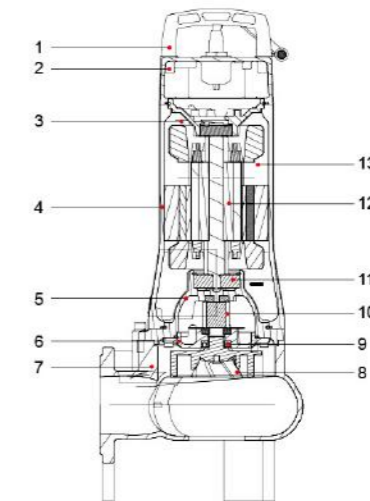
Model		L1	L2	L3	L4	H		H1	D	D1	D2	M
Single Phase	Three Phase					1~	3~					
80SWUm30-4.5-1.5L	80SWU30-4.5-1.5L	260	224	118	149	672	631	122	75	150	18	18
80SWUm30-7-2.2L	80SWU30-7-2.2L											

Hydraulic Performance Curves



Materials Table

No.	Part	Material
1	Handle	ZG45
2	Upper cover	HT200
3	Upper bearing seat	HT200
4	Motor body	HT200
5	Oil chamber	HT200
6	Pump cover	HT200
7	Pump body	HT200
8	Impeller	HT200
9	Oil seal	
10	Mechanical seal	Upper:SiC/Carbon Lower:SiC/SiC
11	Bearing	
12	Rotor	
13	Stator	



Package Information

Model		GW (kg)		L (mm)	W (mm)	H (mm)	Quantity (PCS/20 TEU)
Single Phase	Three Phase	1~	3~				
80SWUm30-4.5-1.5L	80SWU30-4.5-1.5L	49.1	45.4	924	284	363	294
80SWUm30-7-2.2L	80SWU30-7-2.2L	49.4	47.5	924	284	363	294