



Applications

- Used In pressure sewage system
- Drainage of wastewater from individual residences, apartment buildings, recreational developments, models
- Transferring wastewater of commercial buildings, industrial plants, wastewater sampling, small hospitals
- Schools, federal, state and local parks, wastewater drainage
- To transfer various wastewater and sewage

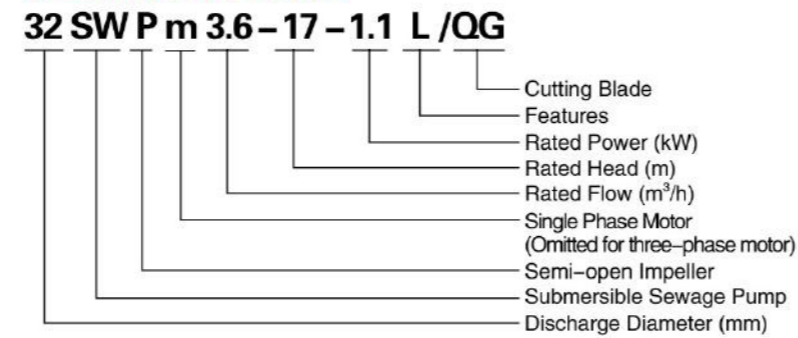
Pump

- Semi-open vortex impeller & reliable grinding system
- Flexible installations with hoses, pipes or quick-coupling systems
- Float switch as standard accessory for single phase ($\leq 1.1\text{kW}$)
- Double-end mechanical seal
- Stainless steel welded shaft
- Liquid temperature: 0 - 40 °C
- Liquid PH value: 4 - 10
- Max. immersion depth: 5 m

Motor

- Frequency/Pole number: 50 Hz/2
- Insulation class: F
- Protection class: IPX8
- Bearing: Ball type

Identification Codes

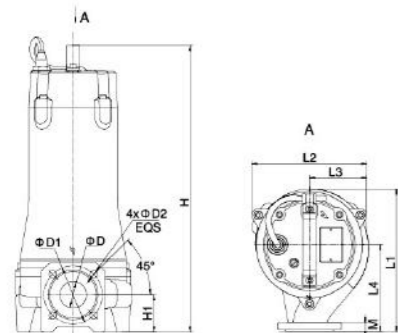


Technical Data

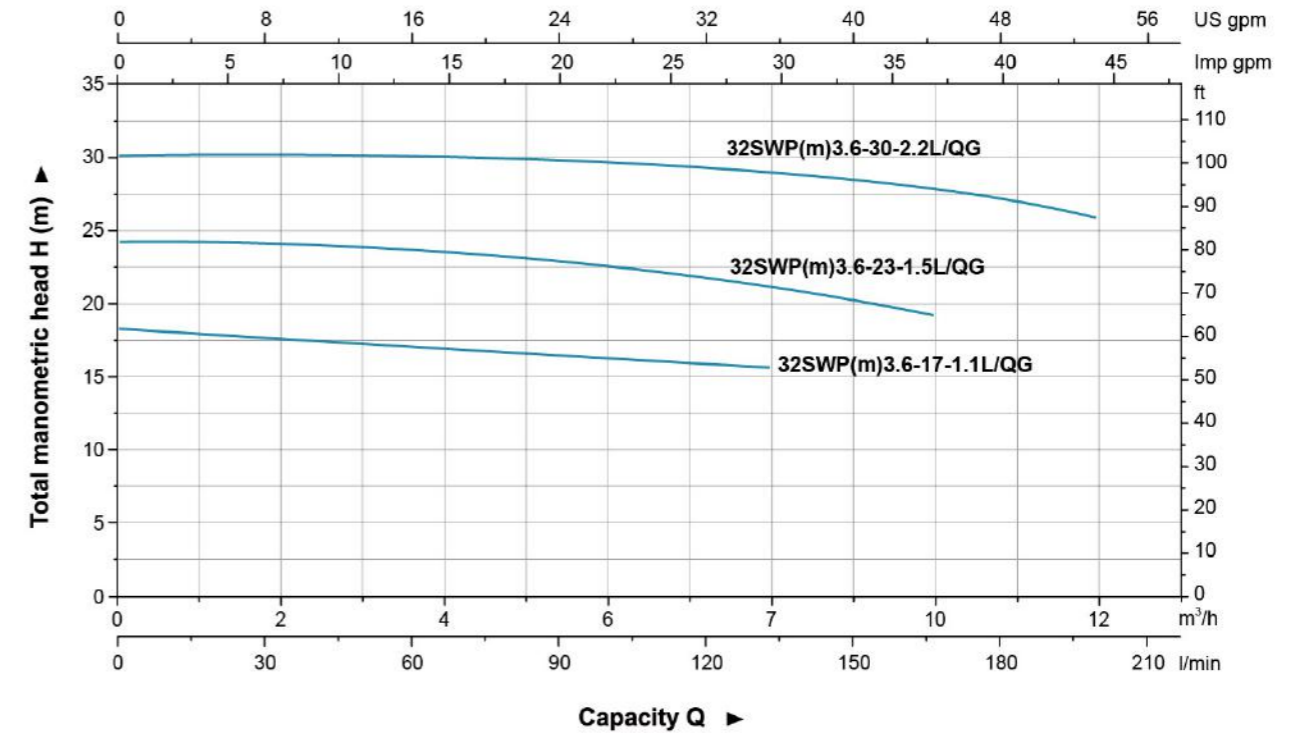
Model		Discharge mm (inch)	Power		Rated Flow (m ³ /h)	Max. Flow (m ³ /h)	Rated Head (m)	Max. Head (m)	Max. Solid Dia (mm)
Single Phase	Three Phase		kW	HP					
32SWPm3.6-17-1.1L/QG	32SWP3.6-17-1.1L/QG	32(1¼")	1.1	1.5	3.6	8	17	18	-
32SWPm3.6-23-1.5L/QG	32SWP3.6-23-1.5L/QG	32(1¼")	1.5	2	3.6	10	23	23.2	-
32SWPm3.6-30-2.2L/QG	32SWP3.6-30-2.2L/QG	32(1¼")	2.2	3	3.6	12	30	30.2	-

Dimension

Model		L1	L2	L3	L4	H		H1	D	D1	D2	M
Single Phase	Three Phase					1~	3~					
32SWPm3.6-17-1.1L/QG	32SWP3.6-17-1.1L/QG					473	473					
32SWPm3.6-23-1.5L/QG	32SWP3.6-23-1.5L/QG	230	191	96	140	564	523	73	32	90	14	16
32SWPm3.6-30-2.2L/QG	32SWP3.6-30-2.2L/QG					564	523					

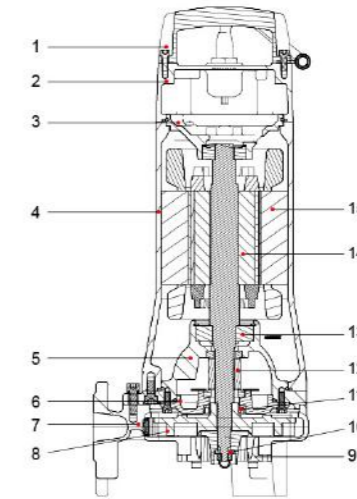


Hydraulic Performance Curves



Materials Table

No.	Part	Material
1	Handle	ZG45
2	Upper cover	HT200
3	Upper bearing seat	HT200
4	Motor body	HT200
5	Oil chamber	HT200
6	Pump cover	HT200
7	Pump body	HT200
8	Impeller	HT200
9	Cutting ring	108Cr17
10	Radial cutter	108Cr17
11	Oil seal	
12	Mechanical seal	Upper:SiC/Carbon Lower:SiC/SiC
13	Bearing	
14	Rotor	
15	Stator	



Package Information

Model		GW (kg)		L (mm)	W (mm)	H (mm)	Quantity (PCS/20'TEU)
Single Phase	Three Phase	1~	3~				
32SWPm3.6-17-1.1L/QG	32SWP3.6-17-1.1L/QG	34	32.1	749	289	368	354
32SWPm3.6-23-1.5L/QG	32SWP3.6-23-1.5L/QG	41.5	38.4	924	284	363	294
32SWPm3.6-30-2.2L/QG	32SWP3.6-30-2.2L/QG	41.1	41.6	924	284	363	294



Applications

- Used In pressure sewage system
- Drainage of wastewater from individual residences, apartment buildings, recreational developments, models
- Transferring wastewater of commercial buildings, industrial plants, wastewater sampling, small hospitals
- Schools, federal, state and local parks, wastewater drainage
- To transfer various wastewater and sewage

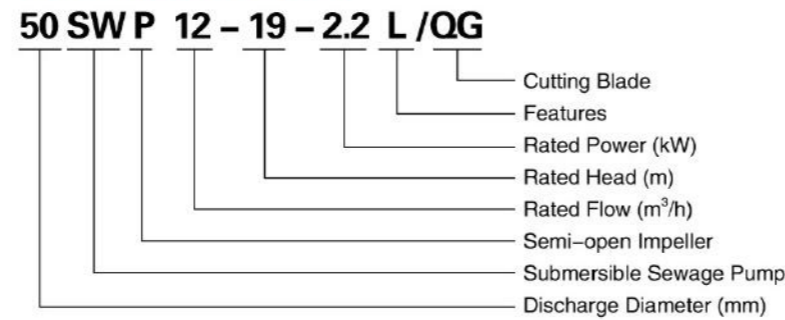
Pump

- Semi-open vortex impeller & reliable grinding system
- Flexible installations with hoses, pipes or quick-coupling systems
- Double-end mechanical seal
- Stainless steel welded shaft
- Liquid temperature: 0 - 40 °C
- Liquid PH value: 4 - 10
- Max. immersion depth: 5 m

Motor

- Frequency/Pole number: 50 Hz/2
- Insulation class: F
- Protection class: IPX8
- Bearing: Ball type

Identification Codes

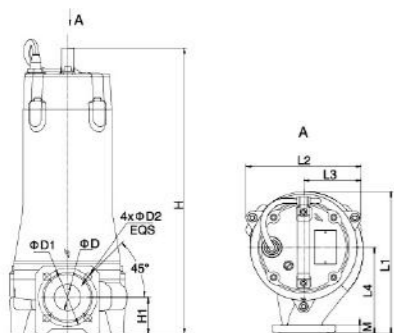


Technical Data

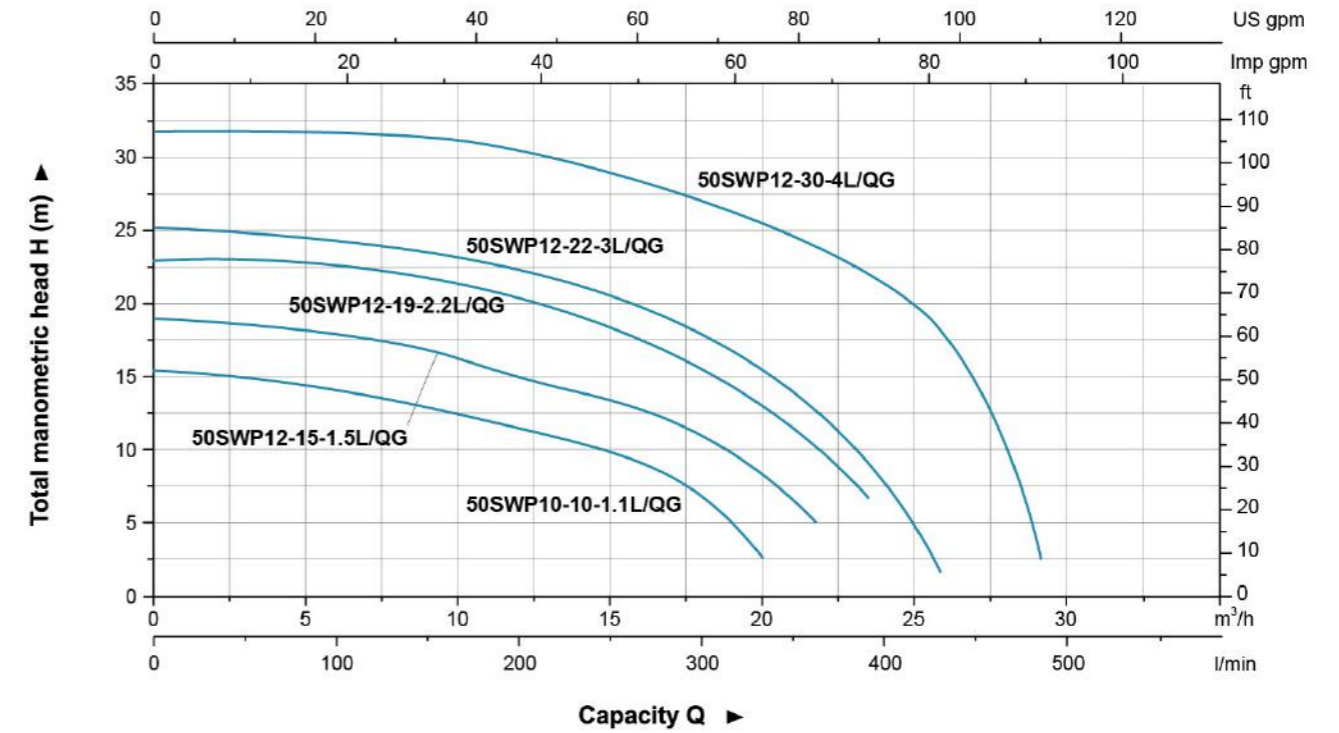
Model	Discharge mm (inch)	Power		Rated Flow (m³/h)	Max. Flow (m³/h)	Rated Head (m)	Max. Head (m)	Max. Solid Dia (mm)
		kW	HP					
50SWP10-10-1.1L/QG	50 (2")	1.1	1.5	10	20.5	10	17.5	-
50SWP12-15-1.5L/QG	50 (2")	1.5	2	12	21.5	15	19.5	-
50SWP12-19-2.2L/QG	50 (2")	2.2	3	12	24.5	19	23	-
50SWP12-22-3L/QG	50 (2")	3	4	12	26	22	25.5	-
50SWP12-30-4L/QG	50 (2")	4	5.5	12	26.5	30	33	-

Dimension

Model	L1	L2	L3	L4	H	H1	D	D1	D2	M	
50SWP10-10-1.1L/QG	245.5				472.5						
50SWP12-15-1.5L/QG					523						
50SWP12-19-2.2L/QG	246	217	109	145		73	40	100	14	16	
50SWP12-22-3L/QG											554
50SWP12-30-4L/QG											554

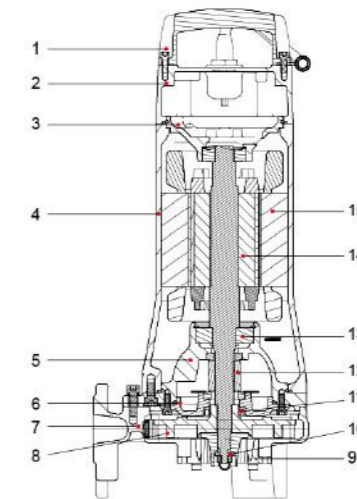


Hydraulic Performance Curves



Materials Table

No.	Part	Material
1	Handle	ZG45
2	Upper cover	HT200
3	Upper bearing seat	HT200
4	Motor body	HT200
5	Oil chamber	HT200
6	Pump cover	HT200
7	Pump body	HT200
8	Impeller	HT200
9	Cutting ring	108Cr17
10	Radial cutter	108Cr17
11	Oil seal	
12	Mechanical seal	Upper:SiC/Carbon Lower:SiC/SiC
13	Bearing	
14	Rotor	
15	Stator	



Package Information

Model	GW (kg)	L (mm)	W (mm)	H (mm)	Quantity (PCS/20'TEU)
50SWP10-10-1.1L/QG	39.7	749	289	368	354
50SWP12-15-1.5L/QG	46.8	924	284	363	294
50SWP12-19-2.2L/QG	45.2	924	284	363	294
50SWP12-22-3L/QG	51.5	874	284	363	316
50SWP12-30-4L/QG	53.9	874	284	363	316