

LBm

Bidirectional Peripheral Pump



Features

- Multi-Applicaton:
Transfer water, wine, milk, juice and other non-aggressive liquids without sand or other solid impurities.
- Bidirectional rotation:
Motor equipped with a reverse switch to allow the pump rotate in two directions. Suction side can be used for delivery, delivery side can be used for suction.
Pump liquids out and refill without moving pipes.

Pump

- Max. Liquid temperature: 35°C
- Max. ambient temperature: 40°C
- Max. Suction: 8 m
- Equiped with reverse switch for bidirectional rotation
- AISI 304 Pump body & cover, brass impeller
- AISI304 welding shaft

Motor

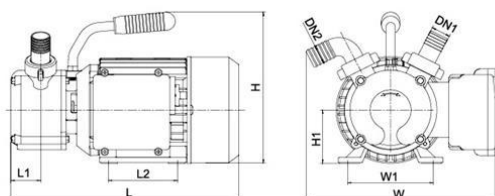
- Built-in thermal protector
- Insulation class: F
- Protection class: IP 44
- 220~240V/50Hz, n=2850
- S1 continuous duty

Identification Codes



Technical Data

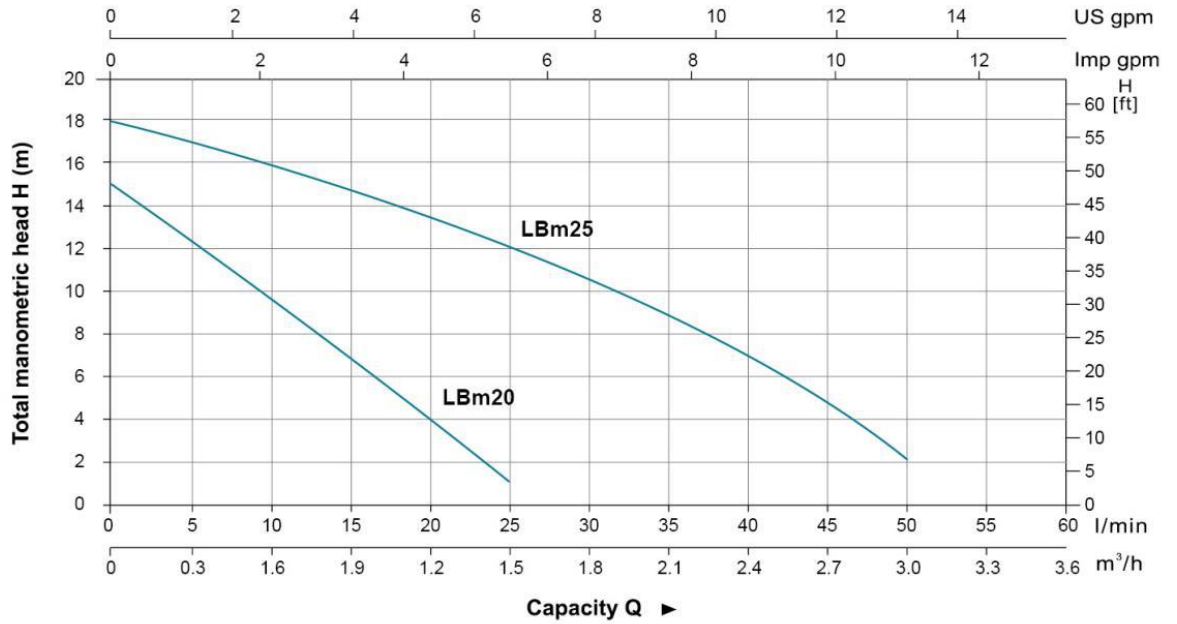
| Model | Power | | Q(m ³ /h) | 0 | 0.3 | 0.6 | 0.9 | 1.2 | 1.5 | 1.8 | 2.1 | 2.4 | 2.7 | 3.0 |
|-------|-------|-----|----------------------|----------|------|-----|------|-----|-----|------|-----|-----|-----|-----|
| | kW | HP | | Q(l/min) | 0 | 5 | 10 | 15 | 20 | 25 | 30 | 35 | 40 | 45 |
| LBm20 | 0.37 | 0.5 | H(m) | 15 | 12.5 | 10 | 7 | 4 | 1 | - | - | - | - | - |
| LBm25 | 0.75 | 1.0 | | 18 | 17 | 16 | 14.5 | 13 | 12 | 10.5 | 9 | 7 | 5 | 2 |



Dimension

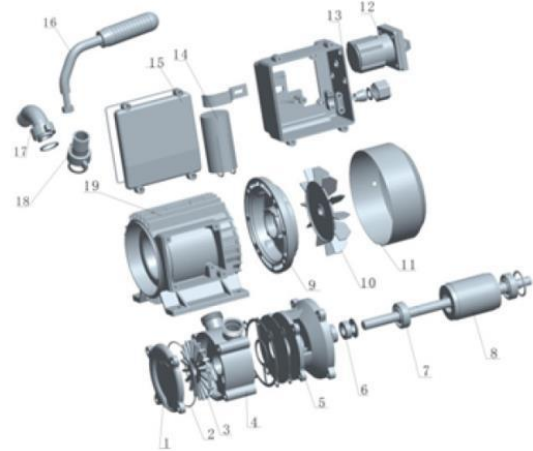
| Model | Ports | | L (mm) | W (mm) | H (mm) | L1 (mm) | L2 (mm) | W1 (mm) | H1 (mm) |
|-------|-------|-----|--------|--------|--------|---------|---------|---------|---------|
| | DN1 | DN2 | | | | | | | |
| LBm20 | 20mm | | 252.5 | 220 | 182.5 | 31.5 | 80 | 100 | 63 |
| LBm25 | 25mm | | 297.5 | 247 | 201 | 39 | 90 | 112 | 71 |

Hydraulic Performance Curves



Materials Table

| No. | Part | Material |
|-----|--------------------|----------|
| 1 | Pump cover | AISI304 |
| 2 | O-ring | NBR |
| 3 | Impeller | Brass |
| 4 | Pump body | AISI 304 |
| 5 | Support | HT200 |
| 6 | Skeleton seal | |
| 7 | Bearing | |
| 8 | Rotor | |
| 9 | End plate | ZL 102 |
| 10 | Fan | PP-GF15 |
| 11 | Wind hood | 08F |
| 12 | Reversing switch | |
| 13 | Terminal box | ABS |
| 14 | Capacitor | |
| 15 | Terminal box cover | ABS |
| 16 | Handle | Steel |
| 17 | Water elbow | ZCuZn38 |
| 18 | Water inlet | ZCuZn38 |
| 19 | Stator | |



Package Information

| Model | GW (kg) | L (mm) | W (mm) | H (mm) | Quantity (PCS/20 TEU) |
|-------|---------|--------|--------|--------|-----------------------|
| LBm20 | 5.7 | 282 | 216 | 150 | 2912 |
| LBm25 | 10.1 | 328 | 236 | 167 | 1872 |

