



Application

- Can be used to transfer clean water or other liquids similar to water in physical and chemical properties
- Suitable for small living water supply, automatic water sprinkler system, small air conditioner system or supporting equipment etc.

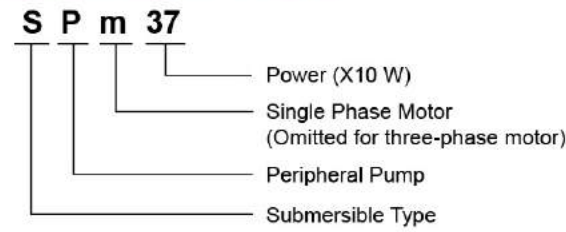
Pump

- Special anti-rust treatment for cast iron pump body
- Max. fluid temperature: +35°C
- Max. immersion depth: 5 m
- Liquid PH value: 6.5 – 8.5
- Maximum sand content: 0.1%
- Maximum solid diameter: 0.2 mm

Motor

- Motor with copper winding
- Insulation class: F
- Protection class: IPX8

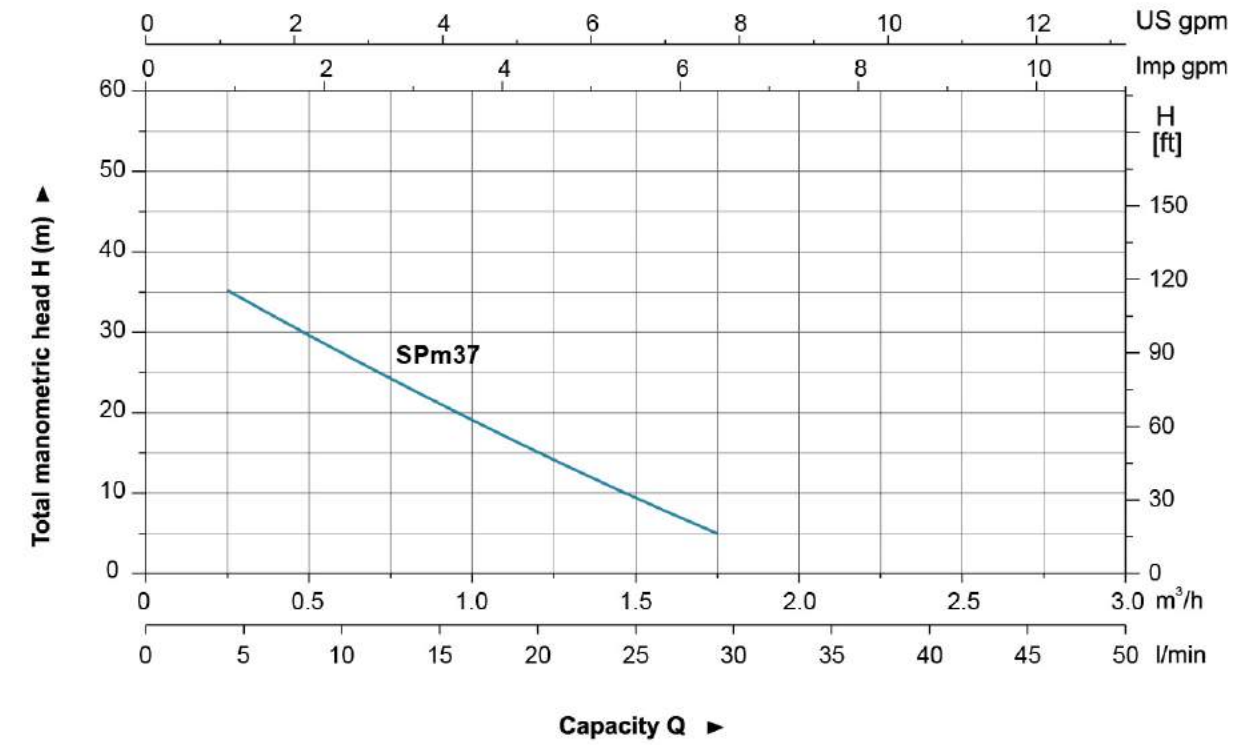
Identification Codes



Technical Data

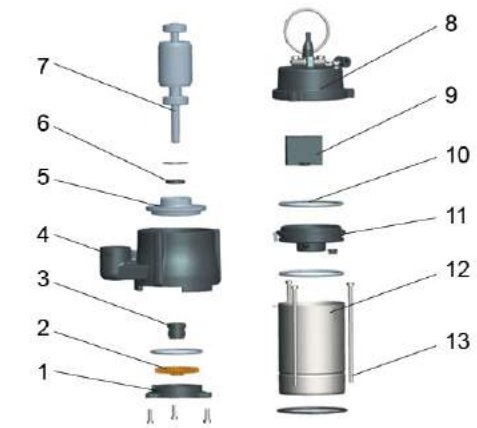
MODEL	POWER		Q (m ³ /h)	0	0.5	1	1.5	2.0
	kW	HP						
SPm37	0.37	0.5	H(m)	41.4	30.6	20.4	9.8	-

Hydraulic Performance Curves



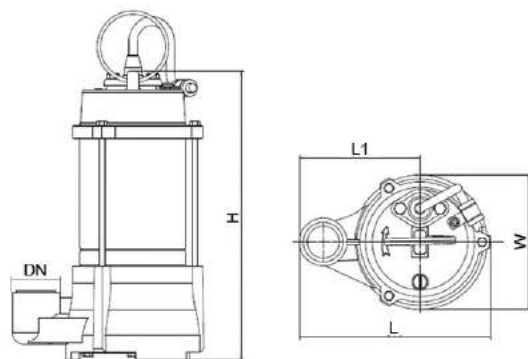
Materials Table

No.	Part	Material
1	Casing cover	HT200
2	Impeller	Brass
3	Mechanical seal	Carbon/Ceramic
4	Pump body	HT200
5	Lower bearing seat	ZL 102
6	Oil seal	
7	Rotor	
8	Top cover	HT200
9	Capacitor	
10	O-ring	NBR
11	Upper bearing seat	HT200
12	Stator	
13	Screw	



Package Information

Model	GW (Kgs)	L (mm)	W (mm)	H (mm)	Quantity (PCS/20 TEU)
SPm37	7.56	184	135	300	2439



Dimension

MODEL	DN	L (mm)	L1 (mm)	H (mm)	W (mm)
SPm37	1"	170	106	244	118