



Application

- Can be used to transfer clean water or other liquids similar to water in physical and chemical properties
- Suitable for small living water supply, automatic water sprinkler system, small air conditioner system or supporting equipment etc.

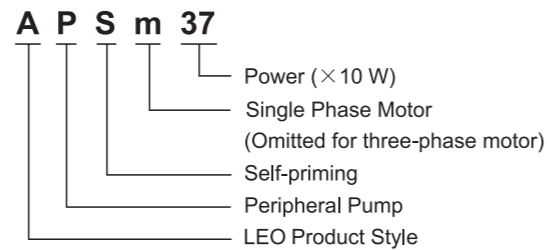
Pump

- Special anti-rust treatment for cast iron pump body and support
- Anti-block system for impeller
- Brass impeller
- AISI 304 shaft
- Max. liquid temperature: +60°C
- Max. suction: +9 m
- Self-priming

Motor

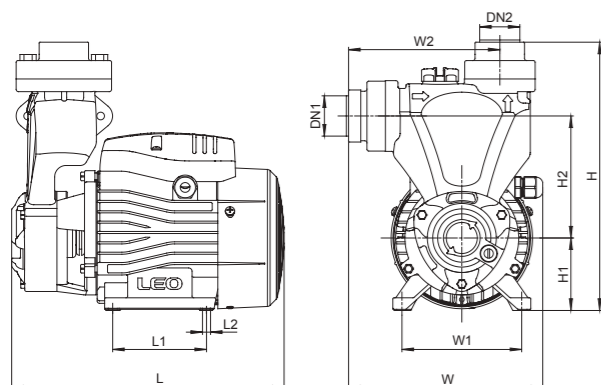
- Low noise&Long life bearing
- Motor with copper winding
- Built-in thermal protector for single phase motor
- Insulation class: F
- Protection class: IPX4
- Max. ambient temperature: +40°C
- IE2 motor for APS110

Identification Codes



Technical Data

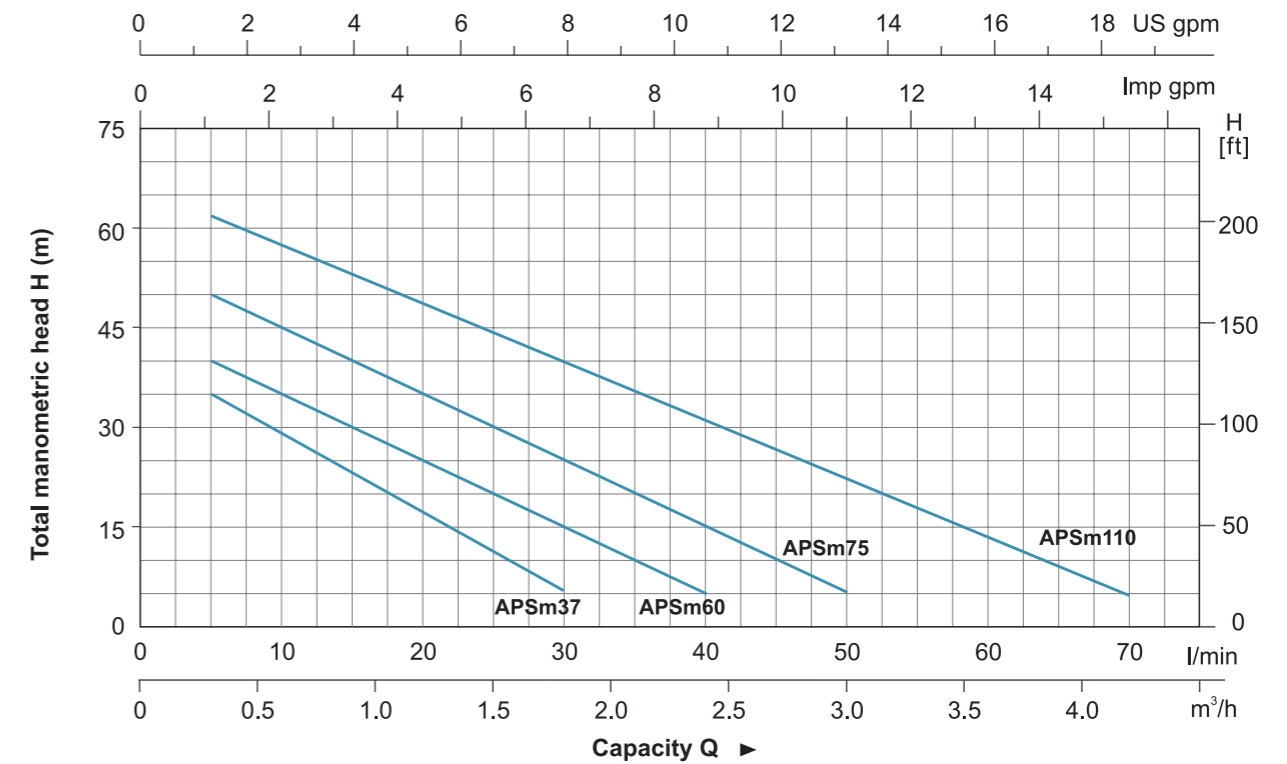
MODEL		POWER		Q (m³/h)																									
Single Phase	Three Phase	kW	HP	0	0.3	0.6	0.9	1.2	1.5	1.8	2.1	2.4	3.0	3.3	3.6	4.2	Q (l/min)												
			H (m)																										
APSm37	—	0.37	0.5	40	35	28	22	18	12	5	-	-	-	-	-	-	0	5	10	15	20	25	30	35	40	50	55	60	70
APSm60	—	0.6	0.8	45	40	32	28	22	18	12	8	5	-	-	-	-	40	45	50	55	60	65	70	75	80	85	90	95	100
APSm75	—	0.75	1.0	55	50	42	38	32	28	22	18	12	5	-	-	-	100	110	120	130	140	150	160	170	180	190	200	210	220
APSm110	APS110	1.1	1.5	65	60	55	50	45	40	35	30	25	20	15	10	5	200	220	240	260	280	300	320	340	360	380	400	420	440



Dimension

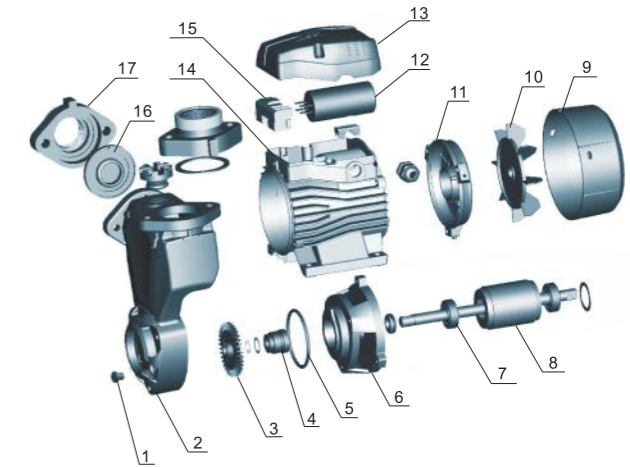
Model	DN1	DN2	L (mm)	W (mm)	H (mm)	L ₁ (mm)	W ₁ (mm)	W ₂ (mm)	H ₁ (mm)	H ₂ (mm)	L ₂ (mm)
APSm37	1"	1"	239	170	234	80	100	128	63	106	8.5
APSm60	1"	1"	260	180	251	90	112	132	71	120	8.5
APSm75	1"	1"	270	180	260	90	112	142	71	130	8.5
APSm110	1 1/2"	1 1/2"	310	200	284	100	125	149	86	138	9

Hydraulic Performance Curves



Materials Table

No.	Part	Material
1	Screw	Steel
2	Pump body	HT200
3	Impeller	Brass
4	Mechanical seal	Carbon/Ceramic
5	O-ring	NBR
6	Support	HT200
7	Bearing	
8	Rotor	
9	Fan cover	PP
10	Fan	PP
11	Rear cover	ZL102
12	Capacitor	
13	Terminal box	PA6-GF25
14	Stator	
15	Terminal board	PC
16	Non-return valve	NBR
17	Connector	HT200



Package Information

Model	GW (Kgs)	L (mm)	W (mm)	H (mm)	Quantity (PCS/20 TEU)
APSm37	7.2	275	200	265	2040
APSm60	10.8	290	205	285	1736
APSm75	12.3	305	214	290	1365
APSm110	17.5	345	232	320	998





Application

- Can be used to transfer clean water or other liquids similar to water in physical and chemical properties
- Suitable for small living water supply, automatic water sprinkler system, small air conditioner system or supporting equipment etc.

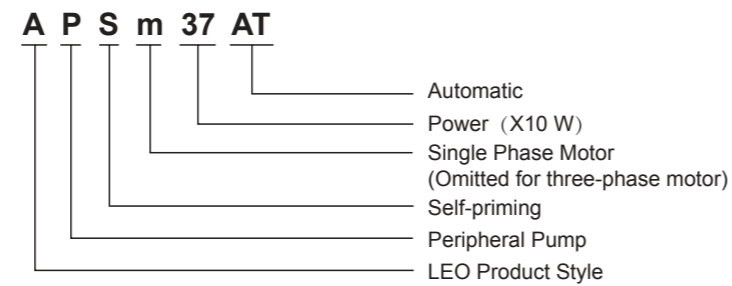
Pump

- 2-Seconds delayed start after plug into the socket to avoid potential danger caused by electric sparks
- Non-water protection
- Automatic detection if there is coming water from pump inlet.
- Anti-blocking protection
- Operating status display(Powering up/Running/No water)

Motor

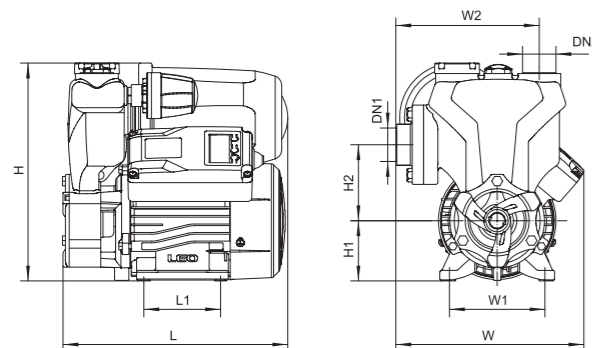
- Low noise&Long life bearing
- Motor with copper winding
- Built-in thermal protector for single phase motor
- Insulation class: F
- Protection class: IPX4
- Max.ambient temperature: +40

Identification Codes



Technical Data

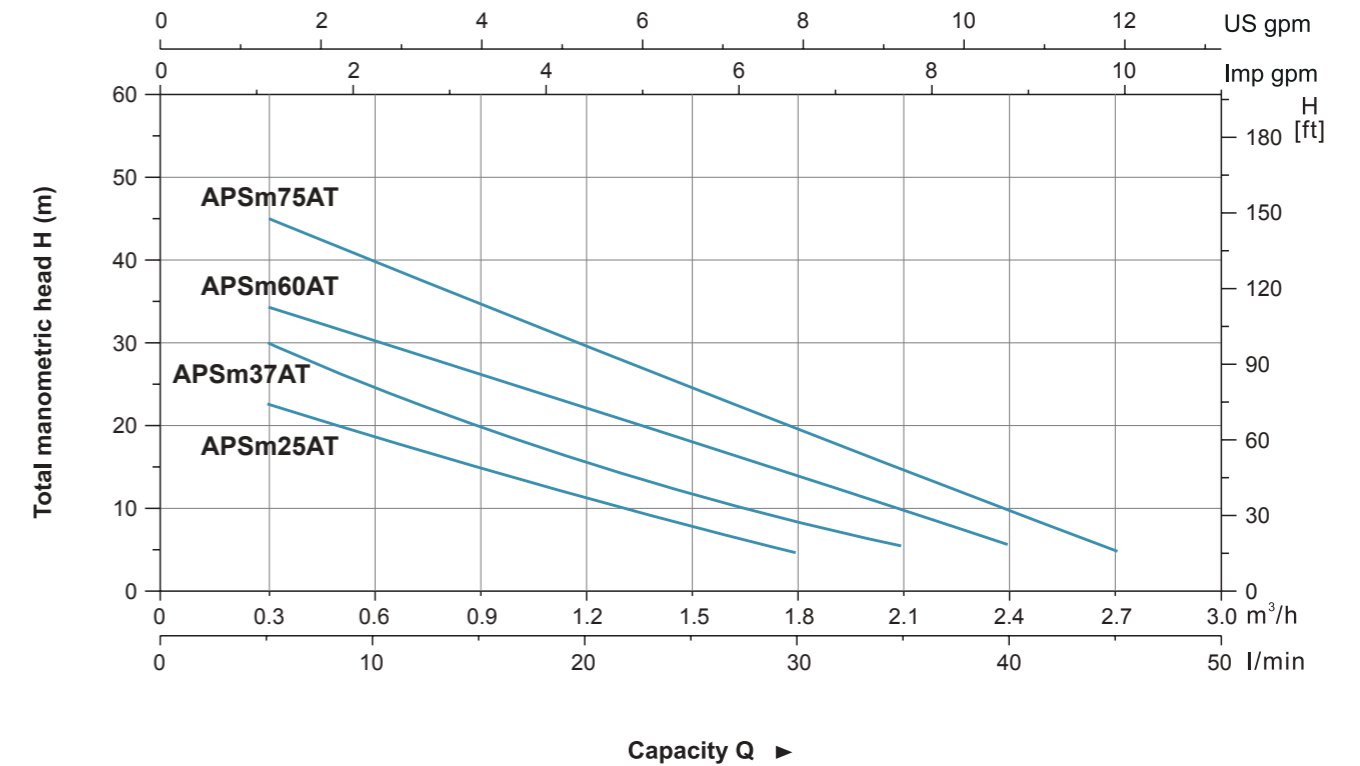
MODEL	POWER		Q (m³/h)	H (m)													
	kW	HP		0	0.3	0.6	0.9	1.2	1.5	1.8	2.1	2.4	2.7	3.0			
APSm25AT	0.25	0.3	0	5	10	15	20	25	30	35	40	45	50	-	-	-	-
APSm37AT	0.37	0.5	0	5	10	15	20	25	30	35	40	45	50	-	-	-	-
APSm60AT	0.6	0.8	0	5	10	15	20	25	30	35	40	45	50	-	-	-	-
APSm75AT	0.75	1.0	0	5	10	15	20	25	30	35	40	45	50	-	-	-	-



Dimension

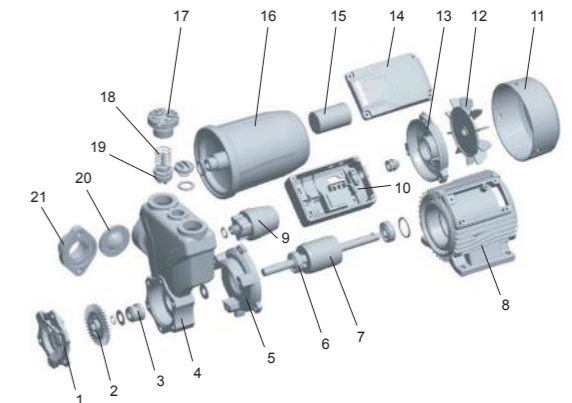
Model	DN1	DN2	L (mm)	W (mm)	H (mm)	L ₁ (mm)	W ₁ (mm)	W ₂ (mm)	H ₁ (mm)	H ₂ (mm)
APSm25AT	1"	1"	235	200	228	80	100	160	63	80
APSm37AT			235	200	228	80	100	160	63	80
APSm60AT			257	216	242	90	112	161	71	85
APSm75AT			257	216	242	90	112	161	71	85

Hydraulic Performance Curves



Materials Table

No.	Part	Material	No.	Part	Material
1	Pump Cover	Brass	12	Fan	PP-GF15
2	Impeller	Brass	13	End plate	ZL 102
3	Mechanical seal	Carbon/Ceramic	14	Terminal cover	ABS
4	Pump body	HT200	15	Capacitor	
5	Front plate	HT200	16	Pressure tank	Iron
6	Bearing		17	Pump head	PA66
7	Rotor		18	Check-valve spring	AISI 304
8	Stator		19	Check valve	PPO
9	Pressure sensor		20	Sealing ring	Rubber
10	Cover box	ABS	21	Inlet connection	HT200
11	Fan cover	PP-GF10			



Package Information

Model	GW (Kgs)	L (mm)	W (mm)	H (mm)	Quantity (PCS/20 TEU)
APSm25AT	9.23	290	245	275	1408
APSm37AT	10.1	290	245	275	1408
APSm60AT	13.1	315	285	300	980
APSm75AT	14.06	315	285	300	980

