



DAMPER

Pneumatic, automatic pulsation dampeners Realized in:
PP, PVDF, ALUMINIUM, SS AISI 316, POMc
Applicable to all size of pumps.
ATEX ZONE 2 AND ZONE 1 CERTIFICATION
Available also in FOOD version.





DAMPER

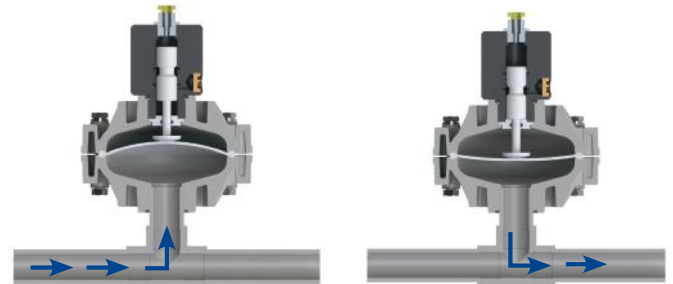
The active pulsation dampener is the most efficient way to remove pressure variations on the discharge of the pump. Flumac pulsation dampener works actively with compressed air, setting automatically the correct pressure to minimize the pulsations. Pulsation dampeners require minimum maintenance and are, subject to the requirements of the application, available in the same housing and diaphragm materials as the pump.

HOW IT WORKS

The pulsating flow of the discharge forces the diaphragm upwards where it is cushioned by the air in the chamber. The flexing of the diaphragm absorbs the pulsation giving a smooth flow.



Significant Pulsation Reduction with an average 70% - 80% pulsation reduction in high back pressure applications.



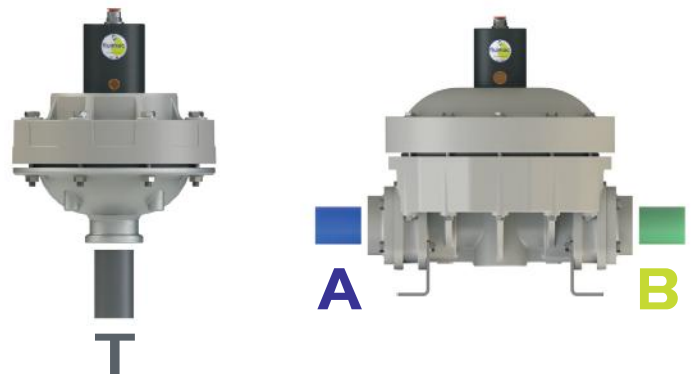
APPLICATION

- METERING/INJECTION/DOSING:
Equalizes discharge pressure spikes, increasing accuracy;
- FILTER PRESS/INLINE FILTERS:
Increases filter efficiency and life by providing a smooth flow;
- SPRAYING:
Smooth, consistent spray pattern;
- FILLING:
Eliminates inconsistent filling and splashing;
- TRANSFER:
Eliminates harmful water hammer, preventing pipe and valve damage.

INSTALLATION



PORT POSITION



D20



PP

Fluid connections **3/4" BSP**
 Air connection **6 mm**
 Max air pressure **8 bar**
 Capacity Volume **80 CC ~**

ATEX ZONE 2 certification as Standard and, on request, **ATEX ZONE 1**.

APPLY TO:
7 - 18 - 30



PVDF+CF

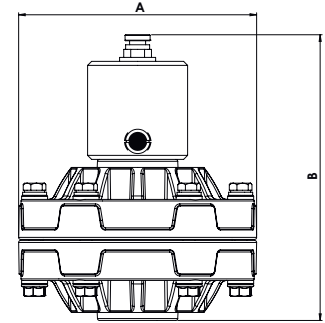


POMc



AISI

| | PP | PVDF | POMc | AISI |
|------------------------|-------|-------|-------|-------|
| A (mm) | 119 | 119 | 119 | 119 |
| B (mm) | 143 | 143 | 143 | 143 |
| Net Weight Kg | 0,65 | 0,7 | 0,65 | 2 |
| Max Temperature | +65°C | +95°C | +80°C | +95°C |
| Min Temperature | -4°C | -20°C | -5°C | -20°C |



| MODEL | CASING | DIAPHRAGM | CONNECTIONS | PORTS |
|-------|--|--|----------------------------------|--------------|
| D020 | P = PP KC = PVDF+CF O = POMc S = SS | HT = HYTREL+PTFE MT = SANTOPRENE+PTFE H = HYTREL M = SANTOPRENE | 1 = BSP 2 = FLANGE 5 = NPT | T = STANDARD |

D25



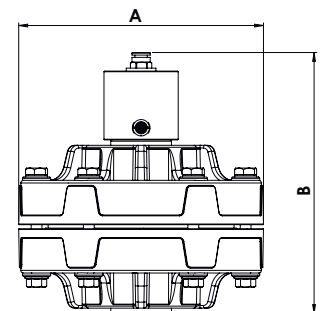
PP

Fluid connections **1" BSP**
 Air connection **8 mm**
 Max air pressure **8 bar**
 Capacity Volume **200 CC ~**

ATEX ZONE 2 certification as Standard and, on request, **ATEX ZONE 1**.

APPLY TO:
55 - 60 - 90 - 120

| | PP | PVDF | POMc | AISI |
|------------------------|-------|-------|-------|-------|
| A (mm) | 181 | 181 | 181 | 181 |
| B (mm) | 195 | 195 | 195 | 182 |
| Net Weight Kg | 1,75 | 2 | 1,9 | 6,7 |
| Max Temperature | +65°C | +95°C | +80°C | +95°C |
| Min Temperature | -4°C | -20°C | -5°C | -20°C |



PVDF+CF



POMc



AISI

| MODEL | CASING | DIAPHRAGM | CONNECTIONS | PORTS |
|-------|--|---|----------------------------------|-------------------------|
| D025 | P = PP KC = PVDF+CF O = POMc S = SS | HT = HYTREL+PTFE MT = SANTOPRENE+PTFE H = HYTREL M = SANTOPRENE D = EPDM N = NBR | 1 = BSP 2 = FLANGE 5 = NPT | T = STANDARD AB = SS |

D40



PP

Fluid connections **1 1/2 BSP**
 Air connection **10 mm**
 Max air pressure **8 bar**
 Capacity Volume **700 CC ~**

ATEX ZONE 2 certification as Standard and, on request, **ATEX ZONE 1**.

APPLY TO:
 170 - 252 - 400



PVDF+CF



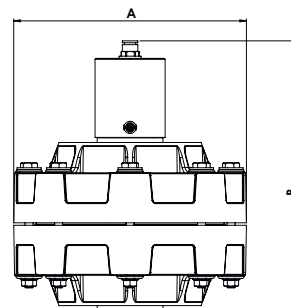
POMc



AISI

| MODEL | CASING | DIAPHRAGM | CONNECTIONS | PORTS |
|-------|--|---|----------------------------------|--------------|
| D040 | P = PP KC = PVDF+CF O = POMc S = SS | HT = HYTREL+PTFE MT = SANTOPRENE+PTFE H = HYTREL M = SANTOPRENE D = EPDM N = NBR | 1 = BSP 2 = FLANGE 5 = NPT | T = STANDARD |

| | PP | PVDF | POMc | AISI |
|------------------------|-------|-------|-------|-------|
| A (mm) | 231 | 231 | 231 | 231 |
| B (mm) | 270 | 270 | 270 | 267 |
| Net Weight Kg | 4 | 4,6 | 4,2 | 5,6 |
| Max Temperature | +65°C | +95°C | +80°C | +95°C |
| Min Temperature | -4°C | -20°C | -5°C | -20°C |



D50



PP

Fluid connections **2" BSP**
 Air connection **12 mm**
 Max air pressure **8 bar**
 Capacity Volume **2900 CC ~**

ATEX ZONE 2 certification as Standard and, on request, **ATEX ZONE 1**.

APPLY TO:
 700 - 1000



PVDF+CF



ALU



AISI

| MODEL | CASING | DIAPHRAGM | O-RING | CONNECTIONS | PORTS |
|-------|---|---|--|----------------------------------|---------------|
| D050 | P = PP KC = PVDF+CF A = ALU S = SS | HT = HYTREL+PTFE MT = SANTOPRENE+PTFE H = HYTREL M = SANTOPRENE D = EPDM N = NBR | D = EPDM V = VITON N = NBR T = PTFE | 1 = BSP 2 = FLANGE 5 = NPT | AB = STANDARD |

| | PP | PVDF | ALU | AISI |
|------------------------|-------|-------|-------|-------|
| A (mm) | 404 | 404 | 400 | 402 |
| B (mm) | 425 | 425 | 425 | 408 |
| Net Weight Kg | 14 | 17 | 14,5 | 21,6 |
| Max Temperature | +65°C | +95°C | +80°C | +95°C |
| Min Temperature | -4°C | -20°C | -5°C | -20°C |

