

EMAUX Commercial Filter

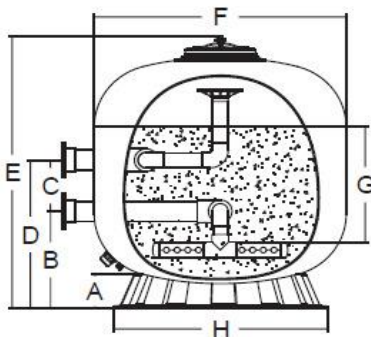
Your solution in water technology
Commercial Fiberglass Sand Filter



20mm Air Purge

Highlight Features:

- Non-corrosive fiberglass and resin
- UV resistance, suitable for operation under prolong sunlight
- Max operating pressure 36 psi (2.5bar) / 56 psi(4.0bar)
- Max temperature of 43°C (109 °F)
- Maximum filtration velocity: 50m³/h/m²
- Suggested size of media : 0.5-0.8mm sand and 1-2mm gravel
- Optional accessories:
 - Filtration system: Laterals / Nozzles
 - Others: Sight glass / Manhole / 33mm union drain / Air purge



"NL" Series Commercial Filter

EMAUX "NL" Series Commercial Sand Filter satisfies the demand of different water treatment including pools installed within-floor cleaning systems, spa, fountains and public swimming pool.

Filtration System Options



Laterals system

or



Nozzles system

With Laterals System

Code 2,5bar	Code 4,0bar	Model No	Filter Area(m ²)	Valve Connections		Max Flow Rate		Sand(kg) 0,5-0,8mm	Gravel(kg) 1-2mm
88012813	88013213	NL1200	1,11	3,0inch	90mm	920lpm	55,20m ³ /h	900	300
88012814	88013214	NL1400	1,54	4,0inch	110mm	1280lpm	76,80m ³ /h	1350	450
88012815	88013215	NL1600	2,06	4,0inch	110mm	1700lpm	102,0m ³ /h	2300	700
88012816	88013216	NL1800	2,52	6,0inch	160mm	2080lpm	124,8m ³ /h	2900	900
88012817	88013217	NL2000	2,97	6,0inch	160mm	2450lpm	147,0m ³ /h	4000	1100
88012818	88013218	NL2300	4,43	8,0inch	200mm	3650lpm	219,0m ³ /h	6000	1600
88012819	88013219	NL2500	4,89	8,0inch	200mm	4000lpm	240,0m ³ /h	6700	1800
88012834	88013234	NL3000	7,07	8,0inch	200mm	5868lpm	353,5m ³ /h	13000	2300

With Nozzles System

Code 2,5bar	Code 4,0bar	Model No	Filter Area(m ²)	Valve Connections		Max Flow Rate		Sand(kg) 0,5-0,8mm	Gravel(kg) 1-2mm
88013313	88013413	NL1200	1,11	3,0inch	90mm	920lpm	55,20m ³ /h	900	300
88013314	88013414	NL1400	1,54	4,0inch	110mm	1280lpm	76,80m ³ /h	1350	450
88013315	88013415	NL1600	2,06	4,0inch	110mm	1700lpm	102,0m ³ /h	2300	700
88013316	88013416	NL1800	2,52	6,0inch	160mm	2080lpm	124,8m ³ /h	2900	900
88013317	88013417	NL2000	2,97	6,0inch	160mm	2450lpm	147,0m ³ /h	4000	1100
88013318	88013418	NL2300	4,43	8,0inch	200mm	3650lpm	219,0m ³ /h	6000	1600
88013319	88013419	NL2500	4,89	8,0inch	200mm	4000lpm	240,0m ³ /h	6700	1800
88012834	88013234	NL3000	7,10	8,0inch	200mm	5917lpm	355,0m ³ /h	8800	3300

Note: Suggested sand weight varies with differences in filter media size. For reference only.

Product Dimension

Model No	A mm	B mm	C mm	D mm	E mm	F mm	G mm	H mm
NL1200	170	565	350	915	1410	1190	700	1000
NL1400	190	565	350	915	1570	1400	760	1220
NL1600	200	650	350	1000	1740	1620	910	1365
NL1800	220	690	415	1105	2040	1790	990	1630
NL2000	220	770	415	1185	2210	1945	1040	1630
NL2300	230	950	550	1500	2510	2375	1260	1800
NL2500	230	1050	550	1600	2670	2495	1390	1800
NL3000	450	1338	550	1888	3165	3000	1500	2600