

SMH series horizontal multi-stage centrifugal pump

Applications and installation

The SMH series are designed to work with clean water in domestic applications, irrigation, industry, etc. The pump body is made of stainless steel, so that they are of beautiful design. At the same time, they have the advantage of low noise, easy operation and reliable performance.

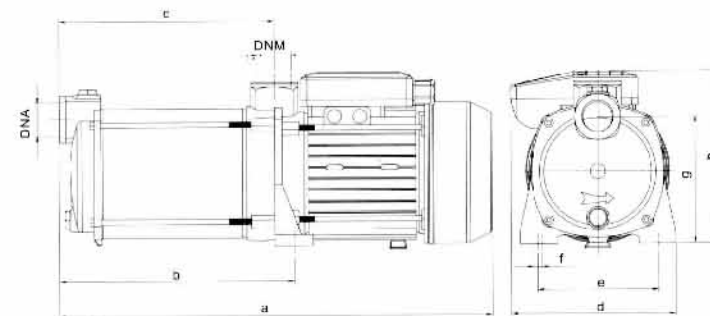
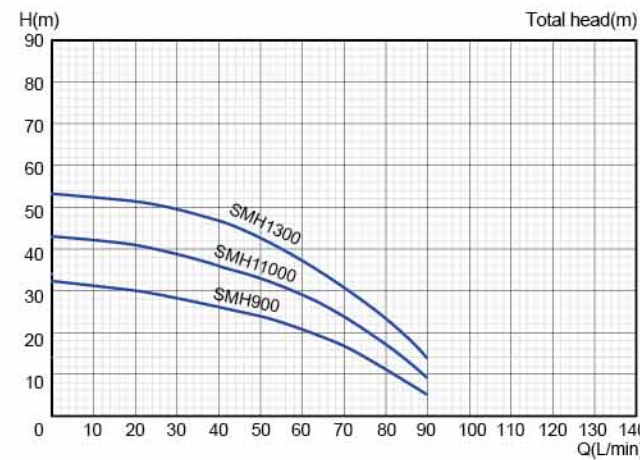
Pumps should be installed in a covered area, protected against the weather.

Construction features

- Pump Body: stainless steel
- Motor Housing: aluminum
- Shaft: Stainless steel/45# steel optional
- Impeller: PPO/stainless steel optional
- Motor: closed, externally ventilated
- Insulation Class: B/F
- Protection Class: IP44/IP54
- Duty: continuously rated
- Mechanical Seal: ceramic steatite/ metalized carbon

Operating limitations

- Max ambient temperature up to 40°C
- Max fluid temperature up to 80°C
- Max pressure up to 10 bar



SMH

| Model | HP | KW | DNA/DNM | Suct.Max m | Q.Max L/min | H.Max m | Q L/min | H (m) | | | | | | | | | | Weight Kg |
|---------|------|------|---------|------------|-------------|---------|---------|-------|----|----|----|----|----|----|----|----|----|-----------|
| | | | | | | | | 0 | 10 | 20 | 30 | 40 | 50 | 60 | 70 | 80 | 90 | |
| SMH900 | 0.75 | 0.55 | 1"/1" | 9 | 90 | 32 | H(m) | 32 | 31 | 30 | 28 | 26 | 24 | 21 | 17 | 11 | 5 | 11.5 |
| SMH1100 | 1 | 0.75 | 1"/1" | 9 | 90 | 43 | H(m) | 43 | 42 | 41 | 38 | 36 | 33 | 29 | 24 | 17 | 9 | 12.5 |
| SMH1300 | 1.2 | 0.9 | 1"/1" | 9 | 90 | 53 | H(m) | 53 | 52 | 51 | 49 | 47 | 41 | 36 | 31 | 23 | 14 | 13.5 |

Overall and mounting dimension

| Model | Dimensions (mm) | | | | | | | | | | Package Dimension | | |
|---------|-----------------|-----|-----|-------|-------|-----|-----|----|-----|-----|-------------------|-----|-----|
| | DNA | DNM | a | b | c | d | e | f | g | h | A | B | H |
| SMH900 | 1" | 1" | 384 | 190 | 170 | 150 | 120 | 10 | 126 | 196 | 400 | 185 | 220 |
| SMH1100 | 1" | 1" | 409 | 214.5 | 194.5 | 150 | 120 | 10 | 126 | 196 | 420 | 185 | 220 |
| SMH1300 | 1" | 1" | 433 | 239 | 219 | 150 | 120 | 10 | 126 | 196 | 445 | 185 | 220 |

MV / MH series multi-stage Centrifugal Pump

Our Advantages

- Self-suction
- Anti-rust and durable
- Silent running and high efficiency
- Compact and fashionable design
- Series for different flow & head request
- Multi-material for different application

Application

Widely used for domestic and commercial field
Water supply for tall building

Working Condition

- Inlet/Outlet: 1"~ 1 1/4"
- Capacity range: 0 ~ 150 L / min
- Max head range: 22 ~ 99 m
- Max working pressure: 8 ~ 10 bar
- Fluid: clean water
- Max solid impurities: 0.1%
- Max grain size: 0.2 mm
- PH: 6 ~ 8
- Fluid Temperature: 0 ~ + 40°C
- Environment Temperature: ≤40°C

Motor

- Operating speed: 2850 r/min
- Insulation class: F
- Protection class: IPX5
- Output power range (P2): 0.45 ~ 2.5KW
- Duty: continuously rated



| Part Description | Input | | Output | | Q m³/h | H (m) | | | | | | | | | | DNA | DNM |
|------------------|-------|------|--------|------|--------|-------|-----|-----|-----|-----|----|-----|-----|-----|-----|-----|-----|
| | KW | KW | HP | HP | | 0 | 0.6 | 1.2 | 1.8 | 2.4 | 3 | 3.6 | 4.2 | 4.8 | 5.5 | | |
| MH90 2M | 0.6 | 0.45 | 0.6 | 0.6 | 22 | 21 | 20 | 19 | 17 | 15 | 13 | 10 | 6 | 2 | 1" | 1" | |
| MH90 3M | 0.9 | 0.65 | 0.9 | 0.9 | 32 | 31 | 30 | 28 | 26 | 24 | 21 | 17 | 11 | 5 | 1" | 1" | |
| MH90 4M | 1.1 | 0.75 | 1 | 1 | 43 | 42 | 41 | 38 | 36 | 33 | 29 | 24 | 17 | 9 | 1" | 1" | |
| MH90 5M | 1.35 | 1 | 1.3 | 1.3 | 53 | 52 | 51 | 49 | 47 | 41 | 36 | 31 | 23 | 14 | 1" | 1" | |
| MH90 6M | 1.65 | 1.3 | 1.65 | 1.65 | 64 | 63 | 62 | 59 | 56 | 51 | 46 | 38 | 29 | 17 | 1" | 1" | |
| MH90 7M | 1.9 | 1.5 | 2 | 2 | 75 | 73 | 70 | 67 | 63 | 58 | 51 | 43 | 33 | 20 | 1" | 1" | |
| MH90 8M | 2.2 | 1.65 | 2.2 | 2.2 | 86 | 83 | 80 | 75 | 70 | 65 | 57 | 48 | 37 | 23 | 1" | 1" | |
| MV90 2M | 0.6 | 0.45 | 0.6 | 0.6 | 22 | 21 | 20 | 19 | 17 | 15 | 13 | 10 | 6 | 2 | 1" | 1" | |
| MV90 3M | 0.9 | 0.65 | 0.9 | 0.9 | 32 | 31 | 30 | 28 | 26 | 24 | 21 | 17 | 11 | 5 | 1" | 1" | |
| MV90 4M | 1.1 | 0.75 | 1 | 1 | 43 | 42 | 41 | 38 | 36 | 33 | 29 | 24 | 17 | 9 | 1" | 1" | |
| MV90 5M | 1.35 | 1 | 1.3 | 1.3 | 53 | 52 | 51 | 49 | 47 | 41 | 36 | 31 | 23 | 14 | 1" | 1" | |
| MV90 6M | 1.65 | 1.3 | 1.65 | 1.65 | 64 | 63 | 62 | 59 | 56 | 51 | 46 | 38 | 29 | 17 | 1" | 1" | |
| MV90 7M | 1.9 | 1.5 | 2 | 2 | 75 | 73 | 70 | 67 | 63 | 58 | 51 | 43 | 33 | 20 | 1" | 1" | |
| MV90 8M | 2.2 | 1.65 | 2.2 | 2.2 | 86 | 83 | 80 | 75 | 70 | 65 | 57 | 48 | 37 | 23 | 1" | 1" | |

| Part Description | Input | | Output | | Q m³/h | H (m) | | | | | | DNA | DNM |
|------------------|-------|------|--------|------|--------|-------|-----|-----|-----|-----|----|-------|-----|
| | KW | KW | HP | HP | | 0 | 1.2 | 2.4 | 3.6 | 4.8 | 6 | | |
| MH120 2M | 0.7 | 0.55 | 0.75 | 0.75 | 25 | 23 | 21 | 18 | 13 | 6 | 0 | 1.25" | 1" |
| MH120 3M | 1 | 0.75 | 1 | 1 | 37 | 34 | 32 | 26 | 19 | 12 | 3 | 1.25" | 1" |
| MH120 4M | 1.3 | 1.1 | 1.3 | 1.3 | 50 | 46 | 42 | 35 | 27 | 18 | 8 | 1.25" | 1" |
| MH120 5M | 1.65 | 1.3 | 1.65 | 1.65 | 62 | 60 | 55 | 48 | 39 | 25 | 10 | 1.25" | 1" |
| MH120 6M | 2 | 1.5 | 2 | 2 | 72 | 69 | 64 | 57 | 46 | 33 | 15 | 1.25" | 1" |
| MH120 7M | 2.3 | 1.8 | 2.4 | 2.4 | 85 | 82 | 77 | 68 | 55 | 39 | 19 | 1.25" | 1" |
| MH120 8M | 3 | 2.2 | 3 | 3 | 96 | 93 | 88 | 78 | 65 | 46 | 22 | 1.25" | 1" |
| MV120 2M | 0.7 | 0.55 | 0.75 | 0.75 | 25 | 23 | 21 | 18 | 13 | 6 | 0 | 1.25" | 1" |
| MV120 3M | 1 | 0.75 | 1 | 1 | 37 | 34 | 32 | 26 | 19 | 12 | 3 | 1.25" | 1" |
| MV120 4M | 1.3 | 1.1 | 1.3 | 1.3 | 50 | 46 | 42 | 35 | 27 | 18 | 8 | 1.25" | 1" |
| MV120 5M | 1.65 | 1.3 | 1.65 | 1.65 | 62 | 60 | 55 | 48 | 39 | 25 | 10 | 1.25" | 1" |
| MV120 6M | 2 | 1.5 | 2 | 2 | 72 | 69 | 64 | 57 | 46 | 33 | 15 | 1.25" | 1" |
| MV120 7M | 2.3 | 1.8 | 2.4 | 2.4 | 85 | 82 | 77 | 68 | 55 | 39 | 19 | 1.25" | 1" |
| MV120 8M | 3 | 2.2 | 3 | 3 | 96 | 93 | 88 | 78 | 65 | 46 | 22 | 1.25" | 1" |

| Part Description | Input | | Output | | Q m³/h | H (m) | | | | | | | | DNA | DNM |
|------------------|-------|------|--------|------|--------|-------|-----|-----|-----|-----|----|-----|-------|----------|----------|
| | KW | KW | HP | HP | | 0 | 1.2 | 2.4 | 3.6 | 4.8 | 6 | 7.2 | 7.8 | | |
| MH150 2M | 0.9 | 0.75 | 1 | 1 | 25 | 23 | 20 | 14 | 13 | 10 | 6 | 4 | 0 | 1.25" | 1"/1.25" |
| MH150 3M | 1.25 | 0.95 | 1.25 | 1.25 | 37 | 35 | 33 | 25 | 19 | 13 | 8 | 2 | 1.25" | 1"/1.25" | |
| MH150 4M | 1.65 | 1.3 | 1.65 | 1.65 | 50 | 48 | 45 | 35 | 27 | 18 | 14 | 5 | 1.25" | 1"/1.25" | |
| MH150 5M | 2 | 1.5 | 2 | 2 | 62 | 60 | 57 | 46 | 39 | 25 | 19 | 7 | 1.25" | 1"/1.25" | |
| MH150 6M | 2.4 | 1.85 | 2.5 | 2.5 | 75 | 73 | 68 | 53 | 46 | 31 | 25 | 12 | 1.25" | 1"/1.25" | |
| MH150 7M | 2.85 | 2.2 | 3 | 3 | 87 | 83 | 78 | 62 | 55 | 37 | 30 | 16 | 1.25" | 1"/1.25" | |
| MH150 8M | 3.3 | 2.5 | 3.3 | 3.3 | 95 | 93 | 92 | 74 | 65 | 45 | 35 | 20 | 1.25" | 1"/1.25" | |
| MV150 2M | 0.9 | 0.75 | 1 | 1 | 25 | 23 | 20 | 14 | 13 | 10 | 6 | 4 | 0 | 1.25" | 1"/1.25" |
| MV150 3M | 1.25 | 0.95 | 1.25 | 1.25 | 37 | 35 | 33 | 25 | 19 | 13 | 8 | 2 | 1.25" | 1"/1.25" | |
| MV150 4M | 1.65 | 1.3 | 1.65 | 1.65 | 50 | 48 | 45 | 35 | 27 | 18 | 14 | 5 | 1.25" | 1"/1.25" | |
| MV150 5M | 2 | 1.5 | 2 | 2 | 62 | 60 | 57 | 46 | 39 | 25 | 19 | 7 | 1.25" | 1"/1.25" | |
| MV150 6M | 2.4 | 1.85 | 2.5 | 2.5 | 75 | 73 | 68 | 53 | 46 | 31 | 25 | 12 | 1.25" | 1"/1.25" | |
| MV150 7M | 2.85 | 2.2 | 3 | 3 | 87 | 83 | 78 | 62 | 55 | 37 | 30 | 16 | 1.25" | 1"/1.25" | |
| MV150 8M | 3.3 | 2.5 | 3.3 | 3.3 | 99 | 97 | 92 | 74 | 65 | 45 | 35 | 20 | 1.25" | 1"/1.25" | |

Q=FLOW RATE H=TOTAL DYNAMIC HEAD IN METERS Curves tolerance according to ISO 2548

Peripheral Pumps
Centrifugal Pumps
Self-priming Jet Pumps
Auto-boosting Pumps

Peripheral Pumps
Centrifugal Pumps
Self-priming Jet Pumps
Auto-boosting Pumps