

# SHF series centrifugal pump

## Applications and installation

The SHF series pumps are specifically designed to achieve high delivery rates with low to medium heads for industrial and agricultural uses. Their volute impeller makes it able to pump water that is even fairly dirty. High delivery rates under continuous or heavy duty, making them advantageous for rain and gravity irrigation, for pumping water from lakes, river, well and for a wide variety of other applications, etc.

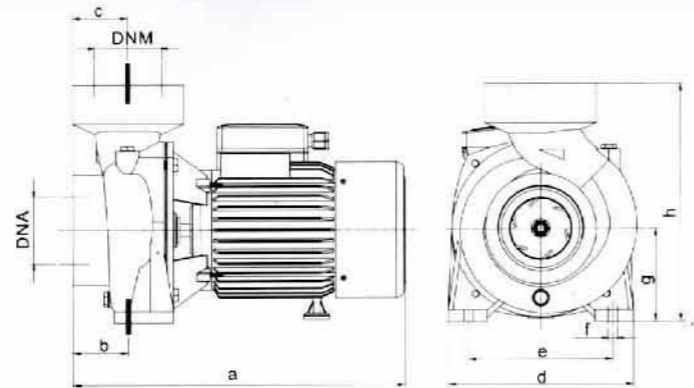
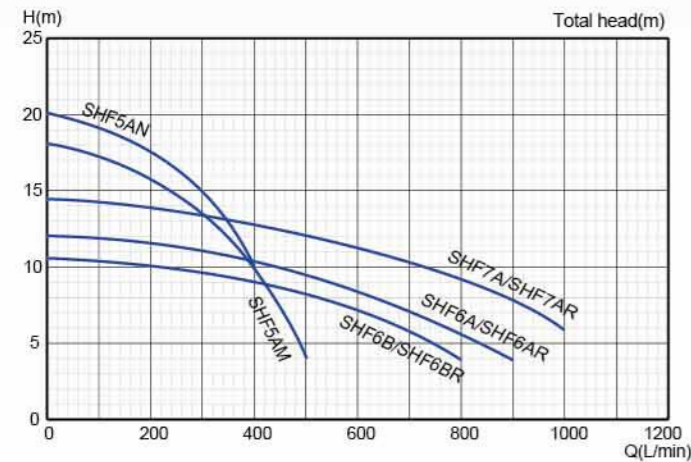
**Pumps should be installed in a covered area, protected against the weather.**

### Construction features

- Pump Body: cast iron
- Motor Housing: aluminum
- Shaft: 45# steel/stainless steel
- Impeller: brass
- Motor: closed, externally ventilated
- Insulation Class: B/F
- Protection Class: IP44/IP54
- Duty: continuously rated
- Mechanical Seal: ceramic steatite/ metalized carbon

### Operating limitations

- Max ambient temperature up to 40°C
- Max fluid temperature up to 80°C
- Max pressure up to 10 bar



## SHF

Model	HP	KW	DNA/DNM	Suct.Max m	Q.Max L/min	H.Max m	Q. L/min	H(m)											Weight Kg		
								0	200	300	400	500	600	800	900	1000					
SHF5AM	1.5	1.1	2" / 2"	9	500	18	18	16	14	10	4										21.85
SHF5AN	2	1.5	2" / 2"	9	500	20	20	18	17	14	10										22.95
SHF6B	2	1.5	3" / 3"	9	800	10.5	10.5	10.4	10.2	10	8	6	4								27.5
SHF6A	3	2.2	3" / 3"	9	900	12.5	12.5	11.5	11	10	9	8	6	4							28.8
SHF7A	4	3	3" / 3"	9	1000	14.5	14.5	13.5	13	12.5	12	11	8.5	7	6						33.0
SHF6BR	2	1.5	4" / 4"	9	800	10.5	10.5	10.4	10.2	10	8	6	4								30.15
SHF6AR	3	2.2	4" / 4"	9	900	12.5	12.5	11.5	11	10	9	8	6	4							36.0
SHF7AR	4	3	4" / 4"	9	1000	14.5	14.5	13.5	13	12.5	12	11	8.5	7	6						37.0

## Overall and mounting dimension

Model	Dimensions (mm)										h
	DNA	DNM	a	b	c	d	e	f	g		
SHF5AM	2"	2"	380	45	51	195	154	11	110	260	
SHF5AN	2"	2"	360	45	51	195	154	11	110	260	
SHF6B	3"	3"	385	66	68	237	187	12	120	312	
SHF6A	3"	3"	405	66	68	237	187	12	120	312	
SHF7A	3"	3"	405	66	68	237	187	12	120	312	
SHF6BR	4"	4"	407	66	70	237	187	12	120	312	
SHF6AR	4"	4"	407	66	70	237	187	12	120	312	
SHF7AR	4"	4"	429	66	80	237	187	14	132	312	

# SCS series centrifugal pump

## Applications and installation

SCS series centrifugal pumps with single impeller are able to offer high flow rates, provide smooth, nonpulsating delivery, and regulate the flow rate over a wide range without damaging the pump.

For correct functioning of the pump, use clean water or non-aggressive liquids charged with small solid impurities.

To be used in flow irrigation system in gardening, agriculture and industrial fittings.

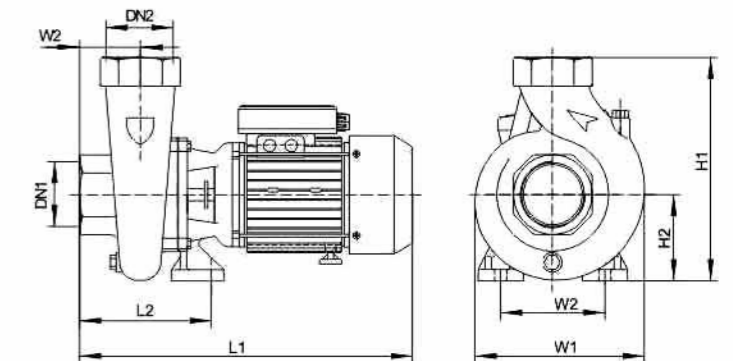
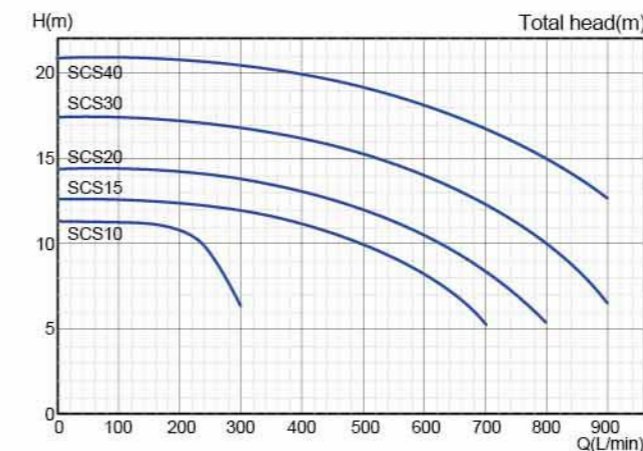
**Pumps should be installed in a covered area, protected against the weather.**

### Construction features

- Pump body: cast iron
- Motor housing: Aluminum
- Shaft: 45#steel/stainless steel
- Impeller: brass
- Motor: closed, externally ventilated
- Insulation class: B/F
- Protection class: IP44/IP54
- Duty: continuously rated
- Mechanical seal: ceramic steatite/metalized carbon

### Operating limitations

- Max.ambient temperature up to 40°C
- Max fluid temperature up to 80°C
- Max pressure up to 10 bar



## SCS

Model	HP	KW	DNA/DNM	Suct.Max m	Q.Max L/min	H.Max m	Q. L/min	H(m)											Weight Kg		
								0	100	200	300	400	500	600	700	800	900				
SCS10	1	0.75	2" / 2"	9	300	12.5	12.5	12.5	12	7.5											16.5
SCS15	1.5	1.1	2" / 2"	9	700	13	13	13	12.5	11	10	8.5	6								25
SCS20	2	1.5	2" / 2"	9	800	14	14	14	13.7	13	12	10	7.5	6							26
SCS30	3	2.2	3" / 3"	9	900	17.5	17.5	17.5	17.2	17	16.5	15.5	14.2	13	10.5	6.5					32
SCS40	4	3	3" / 3"	9	900	21	21	21	20.5	20	19	18	17.2	15.5	13						36

## Overall and mounting dimension

Model	Dimensions (mm)									Package Dimension		
	DNA	DNM	L1	W1	H1	L2	W2	f	A	B	H	
SCS10	2"	2"	318	180	248	55	115	97	340	210	265	
SCS15	2"	2"	390	220	286	56.5	140	114	410	235	305	
SCS20	2"	2"	390	220	286	56.5	140	114	410	255	320	
SCS30	3"	3"	445	227	298	80.5	140	116	465	280	345	
SCS40	3"	3"	458	230	300	80.5	140	116	480	280	350	