

SCP series centrifugal pump

Applications and installation

The SCP series pumps are high-efficient, power-saving and compact in structure, convenient to operate and maintain. The hydraulic characteristic is with high head and small capacity. They are suitable for both domestic and industrial applications to convey clean water and non-aggressive chemical liquid, also can be applied to supply the water for garden, hotel, villas and agricultural irrigation, etc.

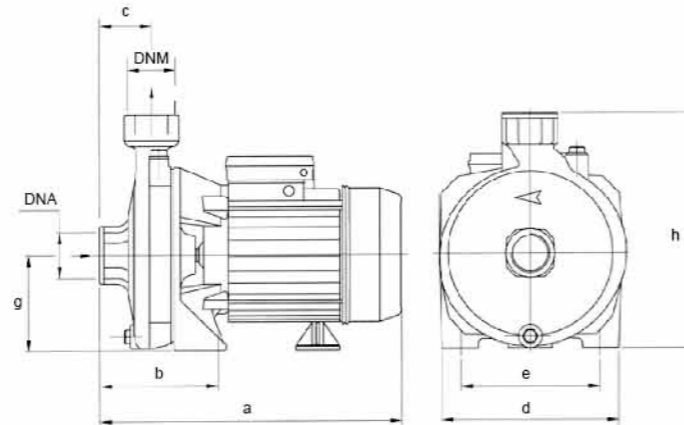
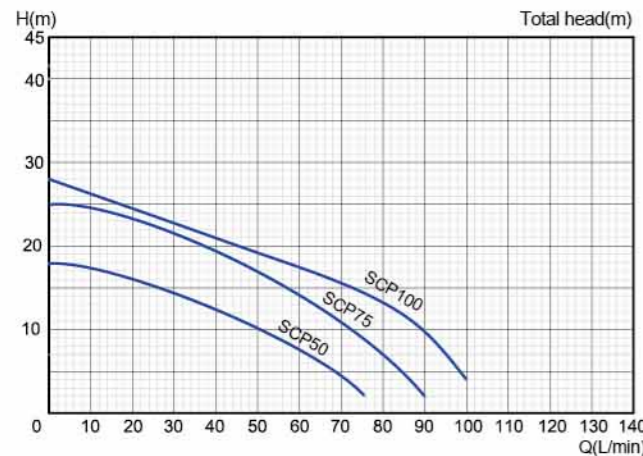
Pumps should be installed in a covered area, protected against the weather.

Construction features

- Pump Body: cast iron
- Motor Housing: aluminum
- Shaft: 45# steel/stainless steel
- Impeller: brass /S/S optional
- Motor: closed, externally ventilated
- Insulation Class: B/F
- Protection Class: IP44/IP54
- Duty: continuously rated
- Mechanical Seal: ceramic steatite/ metalized carbon

Operating limitations

- Max ambient temperature up to 40°C
- Max fluid temperature up to 80°C
- Max pressure up to 10 bar



SCP

Model	HP	KW	DNA/DNM	Suct. Max (m)	Q. Max (L/min)	H. Max (m)	Q. (L/min)	0	10	30	50	75	90	100	Weight (Kg)
SCP50	0.5	0.37	1" / 1"	9	75	18	H(m)	18	16	12	8	2			9
SCP75	0.75	0.55	1" / 1"	9	90	25	H(m)	25	23	19	14	9	2		13
SCP100	1	0.75	1" / 1"	9	100	28	H(m)	28	26	23	19	14	9.5	4	14

Overall and mounting dimension

Model	Dimensions (mm)									Package Dimension		
	DNA	DNM	a	b	c	d	e	g	h	A	B	H
SCP50	1"	1"	263	82	45	175	136	88	220	295	195	240
SCP75	1"	1"	294	82	47	175	142	90	224	330	210	265
SCP100	1"	1"	310	82	43	192	161	95	248	325	215	260

SDK series centrifugal pump

Applications and installation

The SDK series pumps are recommended for pumping clean water and chemically non-aggressive liquid. They have compact size and are extremely reliable, very simple to use, efficient and almost maintenance-free. They are suitable for boosting pressure water supplying for household, irrigation, general industrial applications, etc.

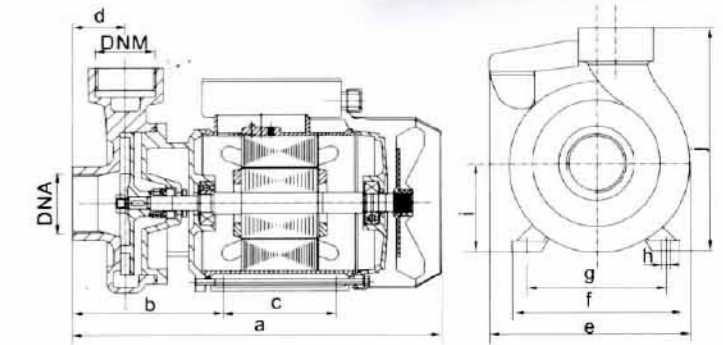
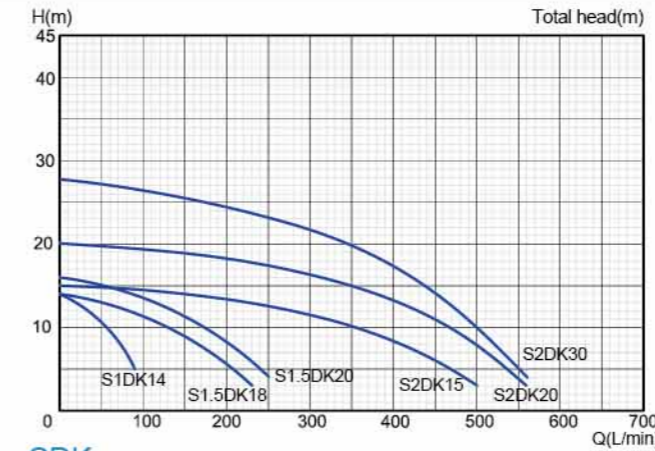
Pumps should be installed in a covered area, protected against the weather.

Construction features

- Pump Body: cast iron
- Motor Housing: aluminum
- Shaft: 45# steel/stainless steel
- Impeller: brass
- Motor: closed, externally ventilated
- Insulation Class: B/F
- Protection Class: IP44/IP54
- Duty: continuously rated
- Mechanical Seal: ceramic steatite/ metalized carbon

Operating limitations

- Max ambient temperature up to 40°C
- Max fluid temperature up to 80°C
- Max pressure up to 10 bar



SDK

Model	HP	KW	DNA/DNM	Suct. Max (m)	Q. Max (L/min)	H. Max (m)	Q. (L/min)	0	30	65	100	180	210	300	480	520	560	Weight (Kg)
S1DK14	0.5	0.37	1" / 1"	9	65	14	H(m)	14	8	4								7.5
S1.5DK18	0.75	0.55	1½" / 1½"	9	180	14	H(m)	14	13	12	11	6						11.8
S1.5DK20	1	0.75	1½" / 1½"	9	210	16	H(m)	16	15.5	15	14	10	4					13
S2DK15	1.5	1.1	2" / 2"	9	480	15	H(m)	15	14.5	14	13.5	12.5	12.5	11	4			18
S2DK20	2	1.5	2" / 2"	9	520	20	H(m)	20	18	17.5	17.5	17	17	15	12	4		19.55
S2DK30	3	2.2	2" / 2"	9	560	28	H(m)	28	27	26.5	26	25	24	22	12	6	4	24

Overall and mounting dimension

Model	Dimensions (mm)											Package Dimension			
	DNA	DNM	a	b	c	d	e	f	h	j	g	i	A	B	H
S1DK14	1"	1"	276	121	80	43	127	119	100	9	63	171	290	150	195
S1.5DK18	1½"	1½"	296	121	90	43	153	136	112	9	71	182	325	195	240
S1.5DK20	1½"	1½"	296	121	90	43	153	136	112	9	71	182	320	195	240
S2DK15	2"	2"	360	167	95	72	220	153	125	12	92	218	400	240	250
S2DK20	2"	2"	360	167	95	72	220	153	125	12	92	218	400	240	250
S2DK30	2"	2"	360	167	95	72	220	153	125	12	92	218	405	240	315