



### TECHNICAL DATA

**Operating range:**

from 1 to 4.6 m<sup>3</sup>/h with head up to 3.76 metres.  
Suitable for continuous operation.

**Liquid temperature range:**

from 0 °C to +35 °C.

**Pumped liquid:**

clean waters without fibres.

**Max. immersion depth:** 7 metres.

### APPLICATIONS

Submersible pumps specifically designed for the recirculation of water in fountains and ponds, to create waterfalls and water features. Water features included in pack.

### CONSTRUCTION FEATURES OF THE PUMP

Wear-free ceramic components.

Double grid filtering system, without foam to reduce maintenance.

Impeller purposely designed to allow expulsion.

### CONSTRUCTION FEATURES OF THE MOTOR

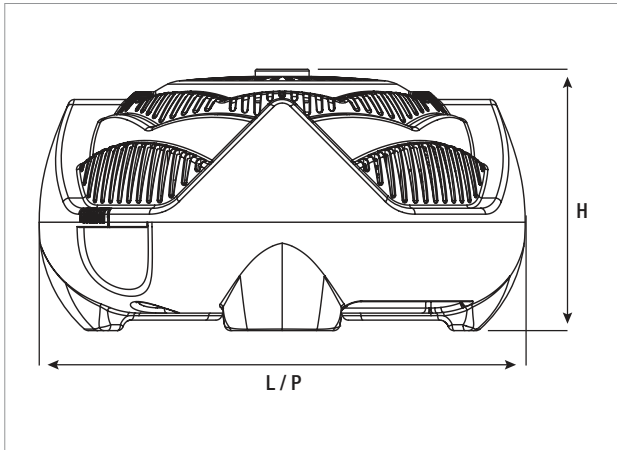
Submersible type continuous duty asynchronous motor.

Thermal protector to avoid motor overheating.

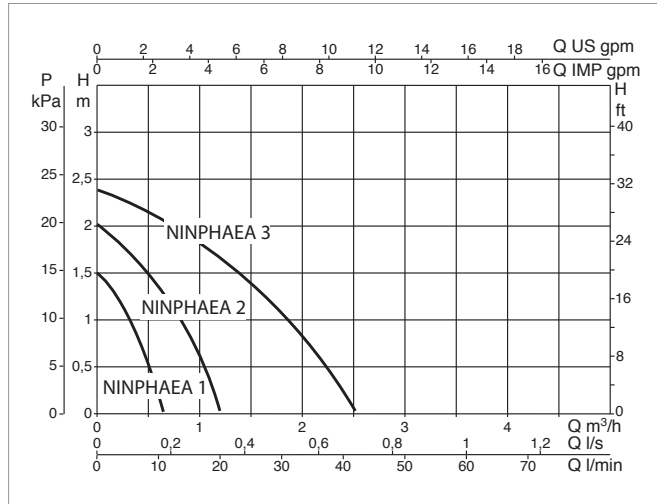
Wear-resistant motor shaft.

# NINPHAEA 1/2/3 - POND AND FOUNTAIN SUBMERSIBLE PUMPS

Liquid temperature range: from 0 °C to +35 °C



The performance curves are based on kinematic viscosity values = 1 mm<sup>2</sup>/s and density equal to 1000 kg/m<sup>3</sup>. Curve tolerance according to ISO 9906.



| MODEL      | Q=m <sup>3</sup> /h | 0    | 0,2  | 0,4  | 0,6  | 0,9  | 1,2 | 1,6  | 2    | 2,4  | 3  | 3,5 | 4  | 4,6 |
|------------|---------------------|------|------|------|------|------|-----|------|------|------|----|-----|----|-----|
|            | Q=l/min             | 0    | 3    | 7    | 10   | 15   | 20  | 27   | 33   | 40   | 50 | 58  | 67 | 77  |
| NINPHAEA 1 | H (m)               | 1,5  | 1,2  | 0,78 | 0,2  |      |     |      |      |      |    |     |    |     |
| NINPHAEA 2 | H (m)               | 2    | 1,85 | 1,6  | 1,3  | 0,81 | 0,1 |      |      |      |    |     |    |     |
| NINPHAEA 3 | H (m)               | 2,38 | 2,3  | 2,2  | 2,07 | 1,85 | 1,6 | 1,26 | 0,76 | 0,21 |    |     |    |     |

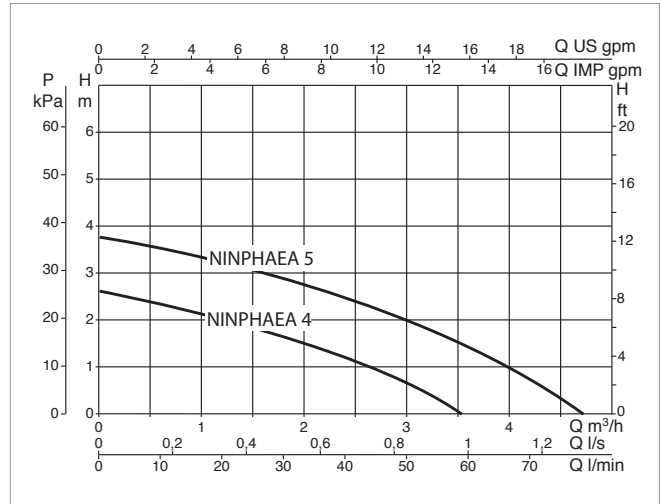
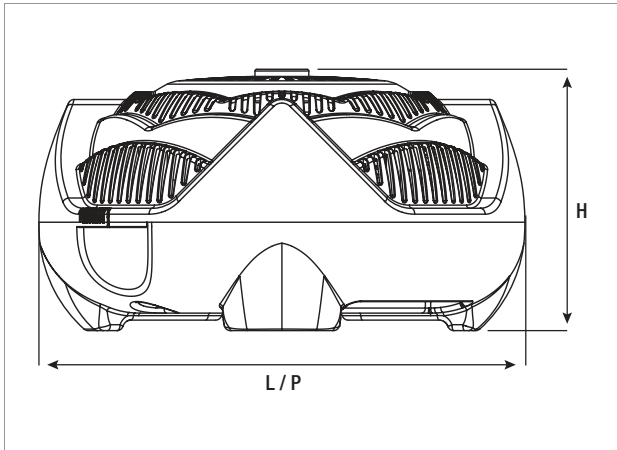
| MODEL      | ELECTRICAL DATA      |              |            |
|------------|----------------------|--------------|------------|
|            | POWER INPUT<br>50 Hz | P1 MAX<br>kW | P2 NOMINAL |
|            |                      |              | kW         |
| NINPHAEA 1 | 1X230 V~             | 13           | 10         |
| NINPHAEA 2 | 1X230 V~             | 20           | 15         |
| NINPHAEA 3 | 1X230 V~             | 45           | 35         |

| MODEL      | L    | P    | H  | Ø  | DNM<br>GAS | CABLE  | WEIGHT<br>kg |
|------------|------|------|----|----|------------|--------|--------------|
| NINPHAEA 1 | 20   | 20   | 11 | ¾" | ¾"         | 10 mt. | 1            |
| NINPHAEA 2 | 22   | 22   | 12 | ¾" | ¾"         | 10 mt. | 1,5          |
| NINPHAEA 3 | 24,5 | 24,5 | 13 | ¾" | ¾"         | 10 mt. | 1,8          |

POND PUMPS

# NINPHAEA 4/5 - POND AND FOUNTAIN SUBMERSIBLE PUMPS

Liquid temperature range: from 0 °C to +35 °C



The performance curves are based on kinematic viscosity values = 1 mm<sup>2</sup>/s and density equal to 1000 kg/m<sup>3</sup>. Curve tolerance according to ISO 9906.

| MODEL      | Q=m <sup>3</sup> /h | 0    | 0,2  | 0,4 | 0,6 | 0,9  | 1,2  | 1,6  | 2    | 2,4  | 3   | 3,5  | 4  | 4,6  |
|------------|---------------------|------|------|-----|-----|------|------|------|------|------|-----|------|----|------|
|            | Q=l/min             | 0    | 3    | 7   | 10  | 15   | 20   | 27   | 33   | 40   | 50  | 58   | 67 | 77   |
| NINPHAEA 4 | H (m)               | 2,6  | 2,5  | 2,4 | 2,3 | 2,15 | 2    | 1,75 | 1,47 | 1,15 | 0,7 | 0,1  |    |      |
| NINPHAEA 5 | H (m)               | 3,76 | 3,67 | 3,6 | 3,5 | 3,35 | 3,18 | 2,98 | 2,7  | 2,45 | 2   | 1,55 | 1  | 0,23 |

| MODEL      | ELECTRICAL DATA   |           |               |
|------------|-------------------|-----------|---------------|
|            | POWER INPUT 50 Hz | P1 MAX kW | P2 NOMINAL kW |
| NINPHAEA 4 | 1X230 V~          | 75        | 55            |
| NINPHAEA 5 | 1X230 V~          | 95        | 75            |

| MODEL      | L    | P    | H  | Ø  | DNM GAS | CABLE  | WEIGHT kg |
|------------|------|------|----|----|---------|--------|-----------|
| NINPHAEA 4 | 26,5 | 26,5 | 14 | ¾" | ¾"      | 10 mt. | 2,2       |
| NINPHAEA 5 | 29   | 29   | 15 | ¾" | ¾"      | 10 mt. | 2,7       |