

NOVAIR

SUBMERGED AERATOR FOR SMALL WASTE WATER TREATMENT SYSTEMS





TECHNICAL DATA

Operating range: air delivery 2 - 17 m³/h for depths from 20 – 90 cm

Protection level: IP68

Insulating class: F

Liquid temperature range: from 0 °C to 35 °C according to EN 60335-2-41 standard for domestic use.

Minimum immersion depth: 20 cm

Maximum immersion depth: 80cm (Novair 200) 90cm (Novair 600)

Liquid quality requirements: sewage from septic tank fibre-less and free from solids, and clear water.

Standard voltage: single-phase: 220 – 240 V/ 50 Hz

Power cable: H07RNF8-F di 2 mt, 5mt e 10 mt and SCHUKO plug available.

Installation: Vertical

APPLICATIONS

The submerged aerator is designed for liquid waste aeration in small water treatment systems. Other fields of application include pond water oxygenation and fish farms.

ADVANTAGES

Thanks to its specific design, the new NOVAIR system guarantees optimal oxygenation of water treatment plants by means of a large and thick cloud of fine bubbles. The fluid dynamics study has been mainly focused on the impeller's blade profiles, with a view to avoid damaging microorganisms present in the water when starting operation. As the aerator is installed vertically, its body is supplied with a supporting base.

Technically speaking, motor cooling is guaranteed by large contact surfaces between motor casing and the liquid. The power cable is coated with resin against humidity and leaks and cabling has been made easier, in order to favour maintenance operations and cable replacement. The excellent wear resistance of the stainless steel motor shaft, with ceramic bush around the sealing rings, guarantees long product durability.

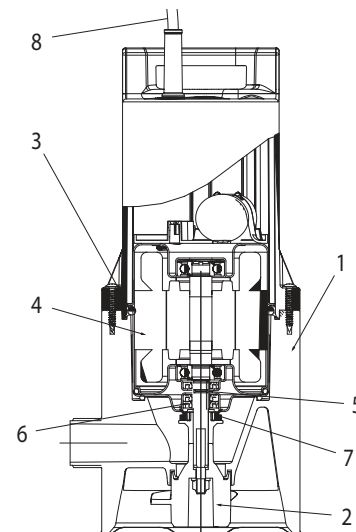
CONSTRUCTION FEATURES

Pump body, cable cover and impeller in technopolymer. Two-pole asynchronous submergible type motor from 0.18 and 0.4 kW with built-in thermal protection and permanently connected capacitor installed in the cable compartment. Steel motor shaft mounted on oversized, greased sealed-for-life ball bearings with ceramic bush. Triple interposed ring seal with oil pre-chambercon precamera d'olio.

MATERIALS

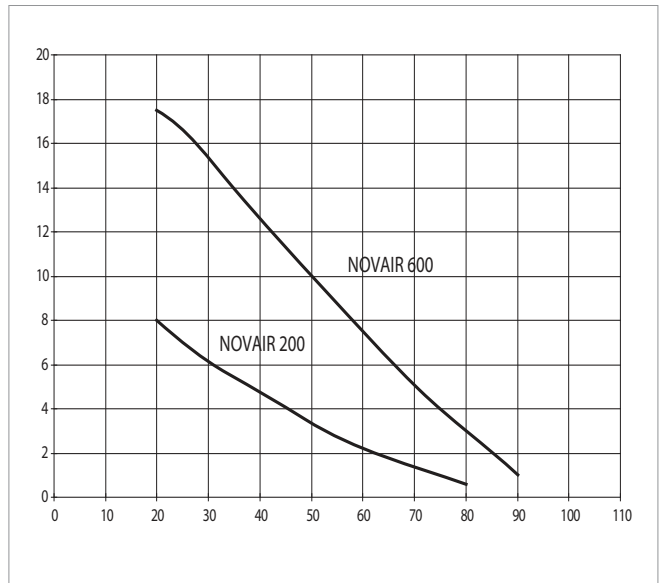
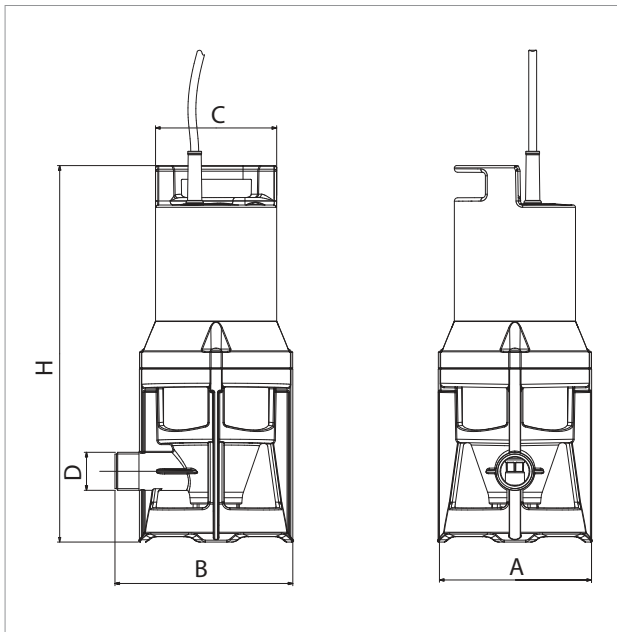
N°	PARTS *	MATERIALS
1	PUMP BODY	TECHNOPOLYMER
2	IMPELLER	TECHNOPOLYMER
3	O-ring SEAL	NBR 70
4	MOTOR	
	CASING	AISI 304
	SHAFT	AISI 416
5	CERAMIC BUSH	AISI 303 + CERAMIC
6	RADIAL SEAL	NBR 70
7	V-RING	NBR 70 + GRASSO
8	CABLE	H07RN8-F

* In contact with the liquid.



NOVAIR - SUBMERGED AERATOR FOR SMALL WASTE WATER TREATMENT SYSTEMS

Liquid temperature range: da 0 °C a 35 °C according to EN 60335-2-41 standard for domestic use.



The performance curves are based on kinematic viscosity values = 1 mm²/s and density equivalent to 1000 kg/m³. Tolerance of curves to ISO 9906.

MODEL	ELECTRICAL DATA					AIR DELIVERY MAX m ³ /h
	VOLTAGE 50 Hz	P1 MAX kW	P2 NOMINAL		In A	
			kW	HP		
NOVAIR 200 M-NA	1X220- 240 V~	0,28	0,18	0,24	1,4	8
NOVAIR 600 M-NA	1X220- 240 V~	0,63	0,40	0,54	3	17,5

MODEL	H	A	B	Ø C	D G NPT	PACK DIMENSIONS			CABLE	VOLUME (mc)	WEIGHT Kg
						L/A	L/B	H			
NOVAIR 200	329,5	130,5	158	106	1"	190	255	308	2 mt / HO7RN8-F	0,015	3,5
									5 mt / HO7RN8-F		
									10 mt / HO7RN8-F		
NOVAIR 600	380,2	130,5	158	106	1" ¼	190	255	419	2 mt / HO7RN8-F	0,015	5,4
									5 mt / HO7RN8-F		
									10 mt / HO7RN8-F		

DNA[®]

PUMPS SELECTOR



On-line selection tool



DAB PUMPS LTD.

Unit 4 and 5, Stortford Hall Industrial Park,
Dunmow Road,
Bishops Stortford,
Herts
CM23 5GZ - UK
salesuk@dwtgroup.com
Tel. +44 1279 652 776
Fax +44 1279 657 727



DAB PUMPS IBERICA S.L.

Avenida de Castilla nr.1 Local 14
28830 - San Fernando De Henares - Madrid
Spain
info.spain@dwtgroup.com
Tel. +34 91 6569545
Fax: +34 91 6569676



DAB PUMPS INC.

3226 Benchmark Drive
Ladson, SC 29456 - USA
info.usa@dwtgroup.com
Tel. 1-843-824-6332
Toll Free 1-866-896-4DAB (4322)
Fax 1-843-797-3366



DAB PUMPS B.V.

Brusselstraat 150
B-1702 Groot-Bijgaarden - Belgium
info.belgium@dwtgroup.com
Tel. +32 2 4668353
Fax +32 2 4669218



DAB PRODUCTION HUNGARY KFT.

H-8800
Nagykanizsa, Buda Ernó u.5
Hungary
Tel. +36 93501700



DWT SOUTH AFRICA

Podium at Menlyn,
3rd Floor, Unit 3001b, 43 Ingersol Road,
C/O Lois and Atterbury street,
Menlyn, Pretoria, 0181 - South-Africa
info.sa@dwtgroup.com
Tel. +27 12 361 3997
Fax +27 12 361 3137



DAB PUMPS B.V.

Albert Einsteinweg, 4
5151 DL Drunen - Nederland
info.netherlands@dwtgroup.com
Tel. +31 416 387280
Fax +31 416 387299



DAB PUMPS POLAND Sp. z o.o.

Mokotow Marynarska
ul. Postępu 15C
02-676 Warszawa - Poland
Tel. +48 223 81 6085



DAB PUMPS CHINA

No.40 Kaituo Road, Qingdao Economic & Technological
Development Zone
Qingdao City, Shandong Province - China
PC: 266500
info.china@dwtgroup.com
Tel. +8653286812030-6270
Fax +8653286812210



DAB UKRAINE Representative Office

Regus Horizon Park
4 M. Hrinchenka St, suit 147
03680 Kiev - Ukraine
Tel. +38 044 391 59 43



DAB PUMPEN DEUTSCHLAND GmbH

Tackweg 11
D - 47918 Tönisvorst - Germany
info.germany@dwtgroup.com
Tel. +49 2151 82136-0
Fax +49 2151 82136-36



OOO DWT GROUP

Novgorodskaya str, 1, bld G, office 308
127576 Moscow - Russia
info.russia@dwtgroup.com
Tel. +7 495 122 00 35
Fax +7 495 122 00 36



DAB PUMPS DE MÉXICO, S.A. DE C.V.

Av Gral Álvaro Obregón 270, oficina 355
Hipódromo, Cuauhtémoc 06100
México, D.F.
Tel. +52 55 6719 0493