

RIGHT

SUBMERSIBLE ELECTRIC PUMPS FOR LOADED WATER

in AISI 304 stainless steel



Submersible electric pumps for loaded water in AISI 304 stainless steel.

APPLICATIONS

- Handling water containing suspended solids / filaments
- Draining infiltration water
- Handling drainage water (domestic services)
- Draining cesspits and draining into the sewers

TECHNICAL FEATURES

- Fitted with 5 m power cable, type H07 RN-F (on request 10 m cable H07 RN-F)
- Available with/without float switch

TECHNICAL DATA

- Maximum submersion: 7 m
- Maximum fluid temperature: 50°C
- Maximum solid dimensions: 35 mm
- 2 pole self-ventilating asynchronous motors
- Insulation class F
- Protection rating IPX8
- Single phase voltage 230V ±10% 50Hz
three-phase voltage 400V ±10%, 50Hz
- Permanently active condenser and integrated automatic re-arming thermal cutout for the single phase motor
- Protection must be supplied by the user for the three-phase version
- Delivery connection: G1½

MATERIALS

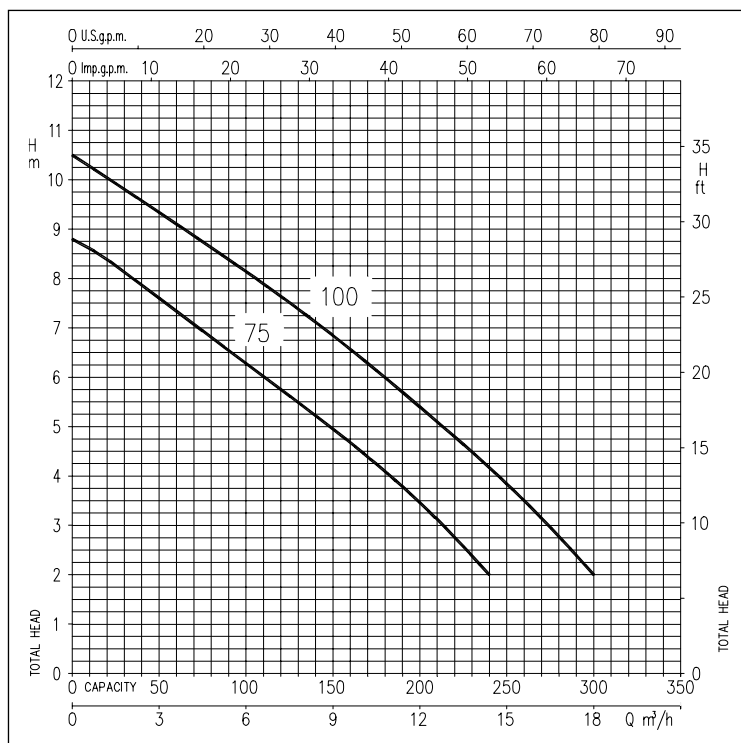
- Pump body, impeller, motor cover, gasket disk and motor casing in AISI 304 stainless steel
- Shaft made of AISI 303 stainless steel (part in contact with liquid)
- Double mechanical seal with oil chamber:
 - upper seal in Carbon/Ceramic/NBR (motor side)
 - lower seal in SiC/SiC/NBR (pump side)

SPECIAL VERSIONS

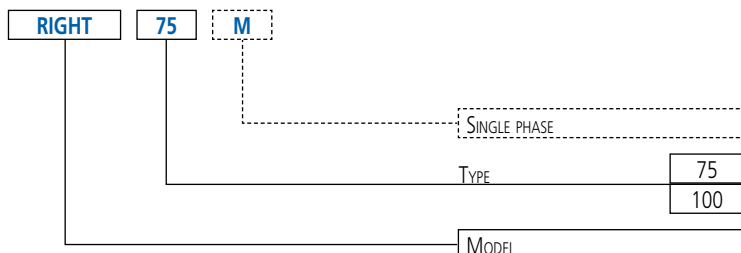
- MA version with float switch
- Version with 10 m cable

For accessories and electrical enclosures, see page 151 onwards

PERFORMANCE CURVES (per ISO 9906 Annex A)



IDENTIFICATION CODE



RIGHT

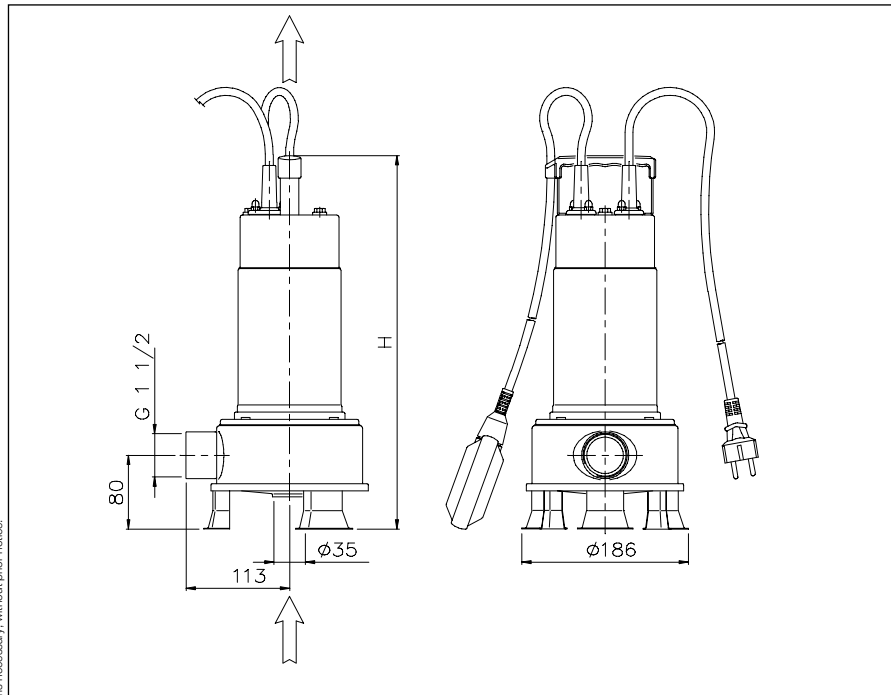
SUBMERSIBLE ELECTRIC PUMPS FOR LOADED WATER

in AISI 304 stainless steel

PERFORMANCE TABLE

Model		P.		Capacitor		Abs. Curr. [A]		Q=Flow rate							
Single phase 230V	Three phase 400V	[HP]	[kW]	μ F	Vc	1~	3~	l/min	40	80	120	160	200	240	300
								m ³ /h	2	4.8	7.2	9.6	12	14.4	18
								H=Head [m]							
RIGHT 75 M	RIGHT 75	0.75	0.55	20	450	4.8	2.1		7.8	6.8	5.7	4.7	3.4	2.0	-
RIGHT 100 M	RIGHT 100	1	0.75	31.5	450	5.7	2.6		9.5	8.6	7.6	6.6	5.4	4.2	2.0

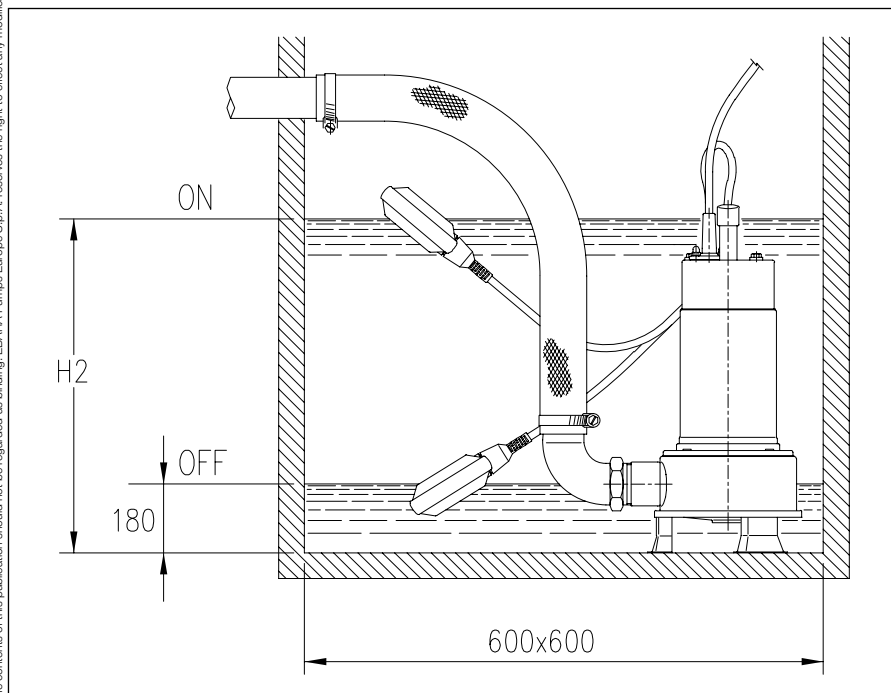
DIMENSIONS



DIMENSIONS CHART

Model	Dimensions [mm]		Weight [kg]
	H	H2	
RIGHT 75	405	410	10.0
RIGHT 100	430	430	11.5

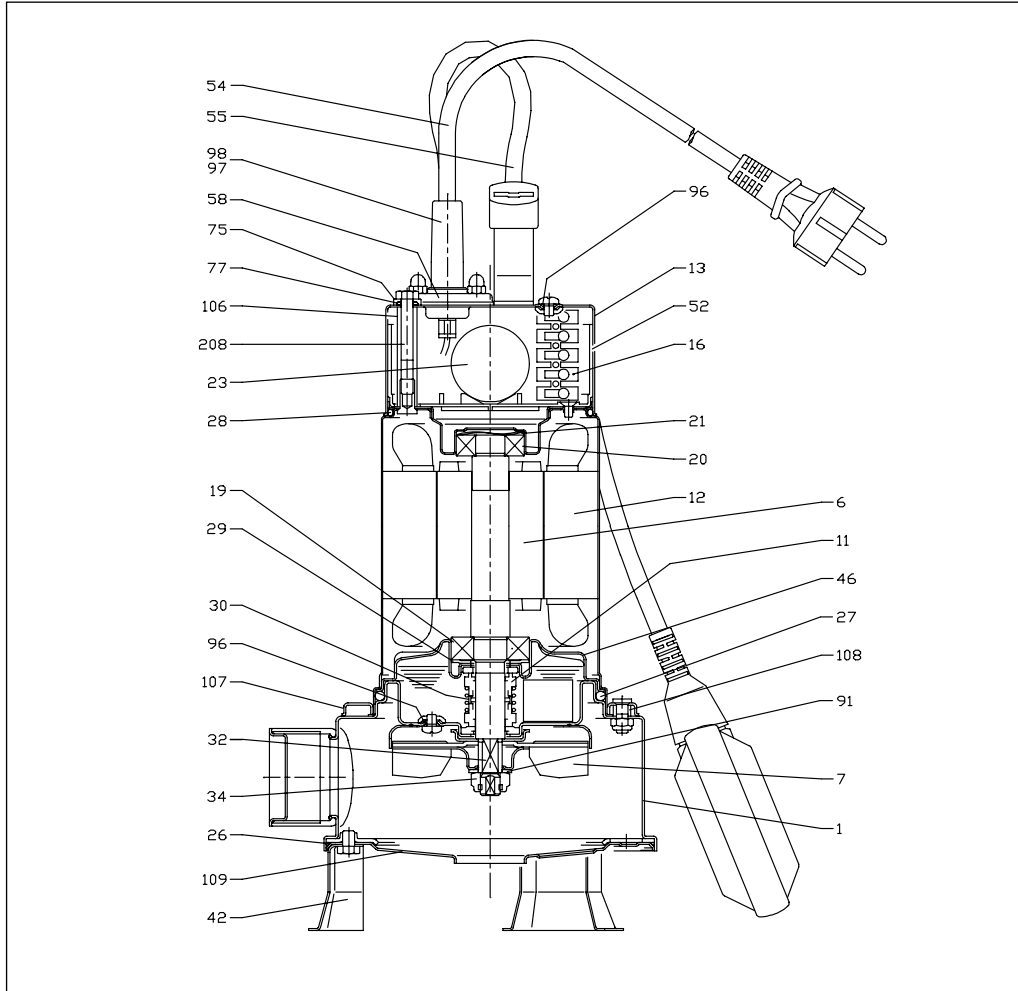
INSTALLATION



SUBMERSIBLE ELECTRIC PUMPS FOR LOADED WATER

in AISI 304 stainless steel

SECTIONAL VIEW



DIMENSIONS CHART

Ref.	Name	Material	Ref.	Name	Material
1	Pump body	AISI 304 stainless steel	42	Foot	AISI 304 stainless steel
6	Shaft with rotor	AISI 303 stainless steel	46	Lower bearing mount	AISI 304 stainless steel
7	Impeller	AISI 304 stainless steel	52	Capacitor housing	PA66 reinforced with glass fibre
11	Mechanical seal	Ceramic/Carbon/NBR	54	Cable	-
12	Motor casing	-	55	Float switch	-
13	Cover	AISI 304 stainless steel	58	Cable clamp	AISI 304 stainless steel
16	Box	-	75	Washer	AISI 303 stainless steel
19	Lower bearing	-	77	O-ring	NBR
20	Upper bearing	-	91	Washer	AISI 304 stainless steel
21	Compensation ring	AISI 304 stainless steel	96	O-ring	NBR
23	Capacitor	-	97	Cable gland	NBR
26	O-ring	NBR	98	Cable gland	NBR
27	O-ring	NBR	106	Spacer	AISI 304 stainless steel
28	O-ring	NBR	107	Mounting flange	AISI 304 stainless steel
29	Washer	AISI 304 stainless steel	108	Gasket	NBR
30	Spacer for mechanical seal	Brass	109	Suction side cover	AISI 304 stainless steel
32	Key	AISI 304 stainless steel	208	Bolt	AISI 304 stainless steel
34	Nut	AISI 303 stainless steel	-		-