



Application

- To transfer clean water with liquid temperature between 0°C and 40°C
- Application in water supply and drainage for factories, mines, municipal facilities as well as field irrigation, etc.

Features

- All new design with ergonomic feature
- High lift series with LEO high efficient hydraulic system
- Reliable 4-stroke gasoline engine with low fuel consumption and high quality crankshaft
- Portable, durable and compact pump frame
- Durable sealing system with special mechanical seal
- Optional outlet selection

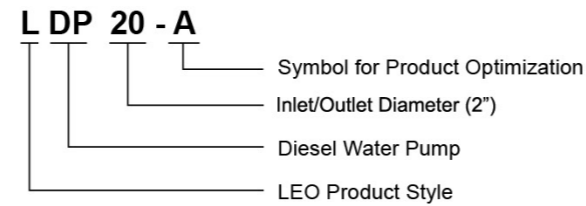
Pump

- Anti-rust cast iron impeller and diffuser
- Max.Suction: 8 m , Suck 5 m needs 120 s
- Inlet/outlet: 2"/3"

Engine

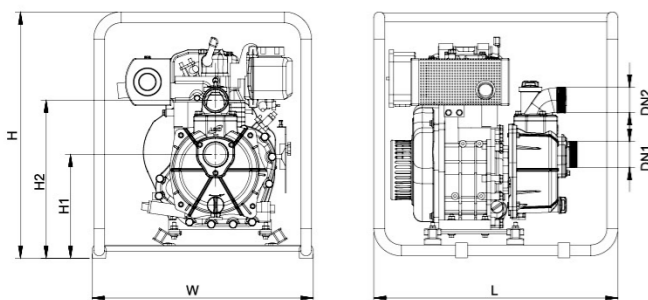
- Single cylinder,4-stroke,Air-cooled
- Max.power: 3.8 HP
- Rated speed: 3600 rpm
- Reliable engine equipped with low engine oil shut off system

Identification Codes



Technical Data

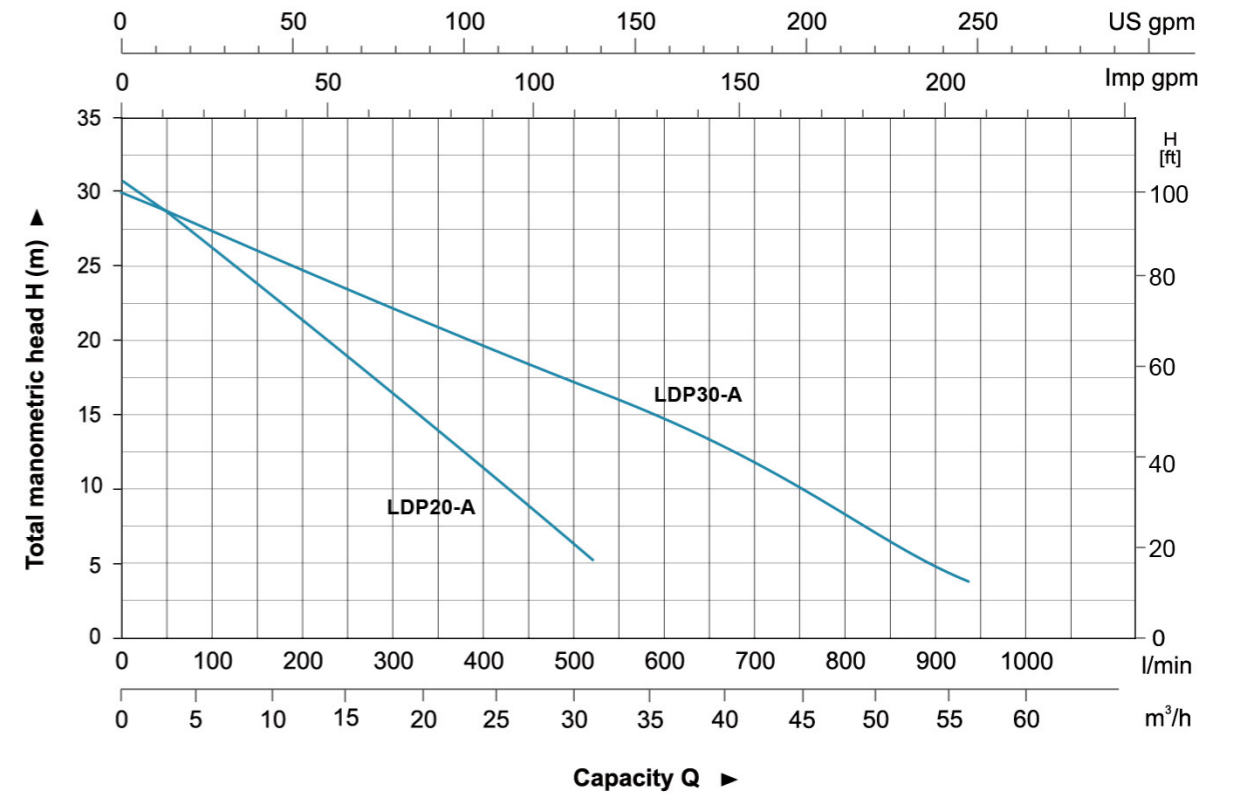
Model	Power HP	Fuel tank L	Engine Oil L	Displacement cc	Engine D170	Q (m³/h)											
						0	5	10	15	20	25	30	35	40	45	50	55
LDP20-A	3.8	2.5	0.8	219	D170	31	27	23	18.4	15	10	5.9	-	-	-	-	-
LDP30-A	3.8	2.5	0.8	219	D170	30	27	26.5	24.1	21.4	19.3	16.7	15.8	13.5	11	8	4.8



Dimension

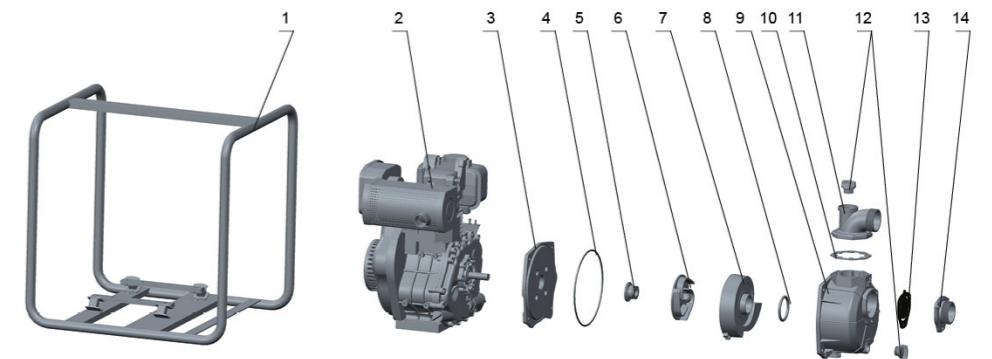
Model	DN1	DN2	L (mm)	W (mm)	H (mm)	H1 (mm)	H2 (mm)
LDP20-A	2"	2"	470	427	536	225	335
LDP30-A	3"	3"	470	427	536	240	390

Hydraulic Performance Curves



Materials Table

No.	Part	Material
1	Frame	Steel
2	Engine	
3	Pump cover	Aluminum
4	O-ring	NBR
5	Mechanical seal	Carbon/Ceramic
6	Impeller	HT200
7	Diffuser	HT200
8	O-ring	NBR
9	Pump body	Aluminum
10	Seal	NBR
11	Outlet	Aluminum
12	Plug	ABS
13	Non-return valve	NBR
14	Inlet	Aluminum



Package Information

Model	GW (Kgs)	L (mm)	W (mm)	H (mm)	Quantity (PCS/20 TEU)
LDP20-A	35.1	485	435	550	244
LDP30-A	36.2	485	435	550	244

